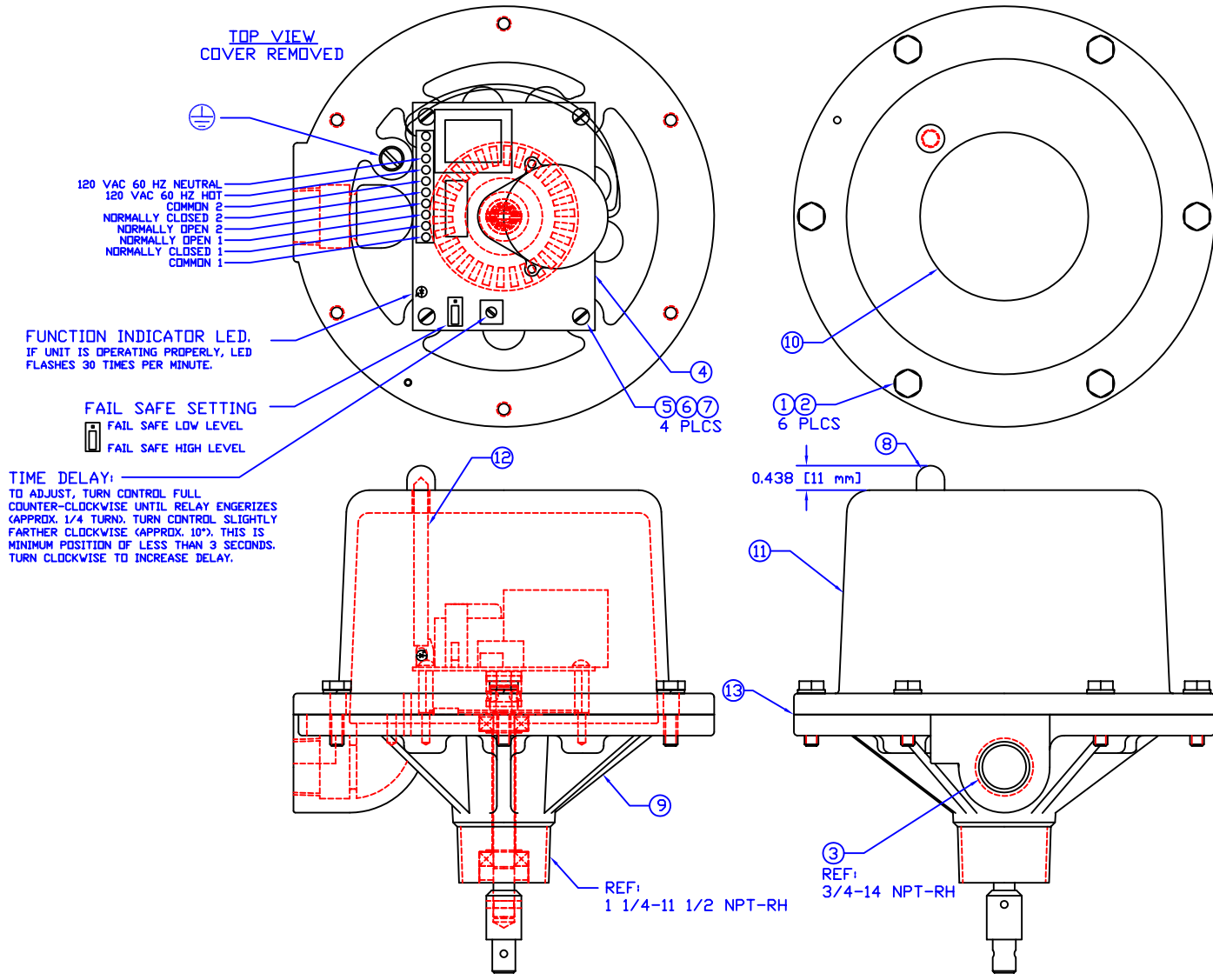


DWG. NO.	D0010079	SHT.	1-1	REV.	
REVISIONS					
REV.	E.C.D.	DESCRIPTION	DATE	BY	APP'D



NOTE: REF DWG D0010070 FOR GENERAL ARRANGEMENT AND DIMENSIONS.

ITEM NO.	QTY	DESCRIPTION
*USED ON 110V MODEL CRU-2A		
*USED ON 220V MODEL CRU-2B		
13	1	CRU COVER GASKET
12	1	LIGHT PIPE FOR CRU COVER
11	1	CRU ALUM EXP-PROOF MACH COVER
10	1	NAMEPLATE CRU
9	1	LOWER HOUSING ASSEMBLY CRU - ALUM
8	1	LENS FOR CRU COVER
7	4	#8 LOCKWASHER 7/8"
6	4	8-32 X 3/8 RHMS
5	4	#8 X 3/4" HEX STANDOFF
4	1	CRU PCB ASSY W/MOTOR 220V
3	1	CRU PCB ASSY W/MOTOR 110V
2	1	1/2" X CAP PLUG
1	6	1/4" LOCKWASHER SST
1	6	1/4-20 X 1 THCS SST
1	1	TECHNICAL PART DWG DESCRIPTION

THIS DRAWING IS COMPUTER GENERATED.					
DWN	GL	DATE	01/26/04	CONVEYOR COMPONENTS CO.	
CKD		DATE		130 SELTZER RD, CROSWELL, MI 48422	
APD	JK	DATE	01/26/04	CRU ASSEMBLY	
THIS PRINT IS THE PROPERTY OF CONVEYOR COMPONENTS CO. AND MUST NOT BE USED IN WHOLE, OR PART WITHOUT WRITTEN PERMISSION.					
PART NO.		DWG. NO.		REV.	
		D0010079			
PLEASE RETURN ON DEMAND.		SCALE	FULL	SIZE	D
				SHT.	1-1

DWG. NO. D0010079 SHT. 1-1 REV.