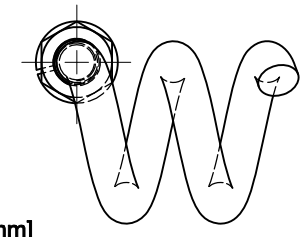
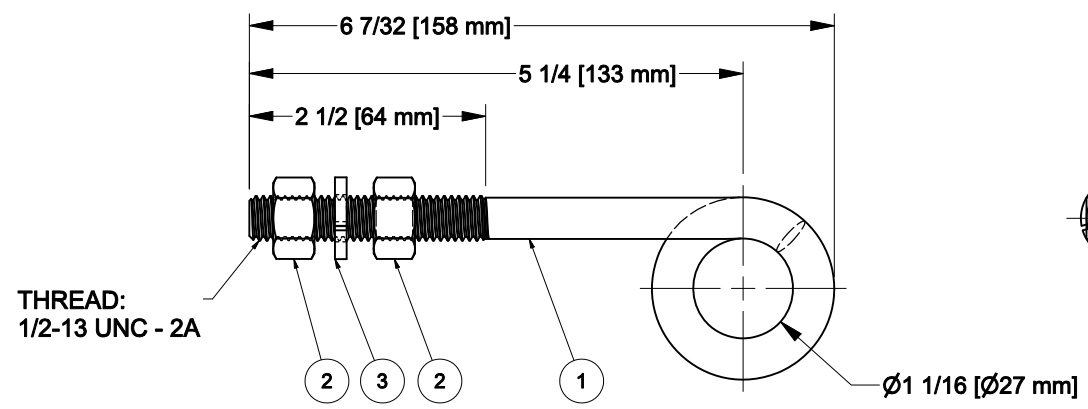
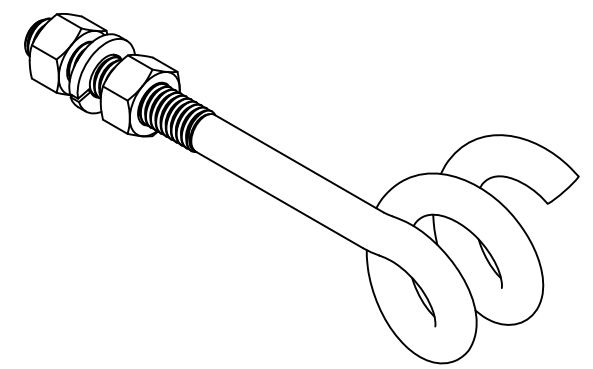
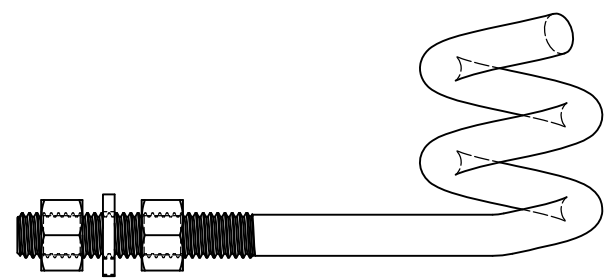



REV	ECO	DESCRIPTION	DATE	BY	APPD
A	0359c	ASSEMBLY DRAWING	1/22/2020	GL	DLG



ALL DIMS FOR REFERENCE ONLY.

PARTS LIST				
ITEM	PART#	DWG	DESCRIPTION	QTY
1	20176540	D0170154	RS-27 COIL MODEL	1
2	22014401		1/2-13 HEX NUT Z/P	2
3	22013502		1/2" LOCKWASHER Z/P	1
DRAWN GL		1/22/2020	 Conveyor Components Company Division of Material Control, Inc. 130 Seltzer Road, Crosswell, Michigan 49422 U.S.A.	
CHECKED DLG		1/24/2020		
APPROVED DLG		1/24/2020		
PART RS-27P			RS-27P PIGTAIL CABLE SUPPORT EYEBOLT WITH HEX NUTS AND LOCK WASHER.	
THIS PRINT IS PROPERTY OF CONVEYOR COMPONENTS CO., AND MAY NOT BE USED IN WHOLE OR PART WITHOUT WRITTEN PERMISSION.			Drawing is computer generated, and print might not be to scale SIZE: C DWG NO: D0170155.dwg REV: A SCALE: SHEET 1 OF 1	

