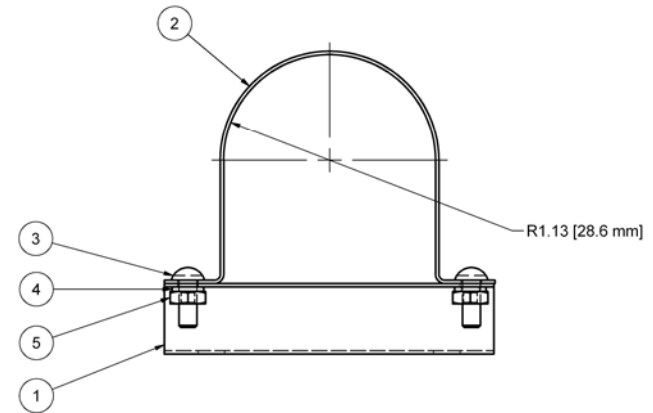
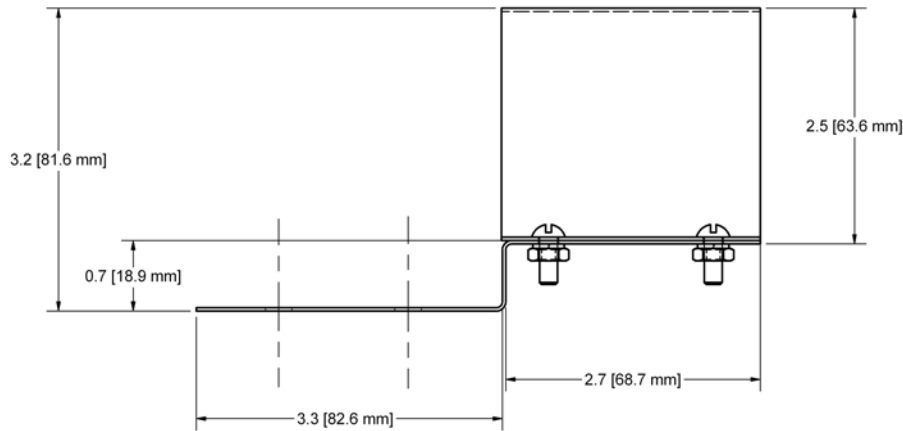
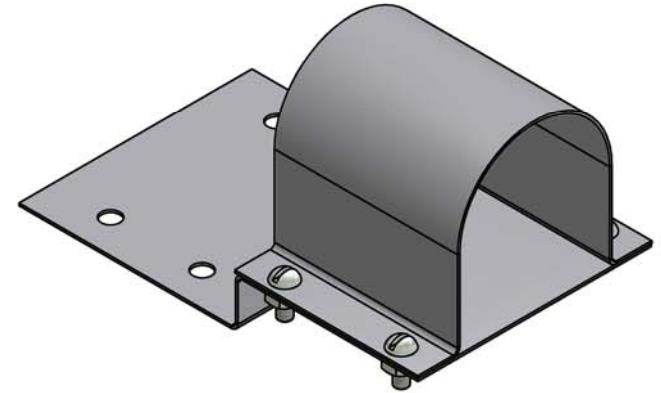
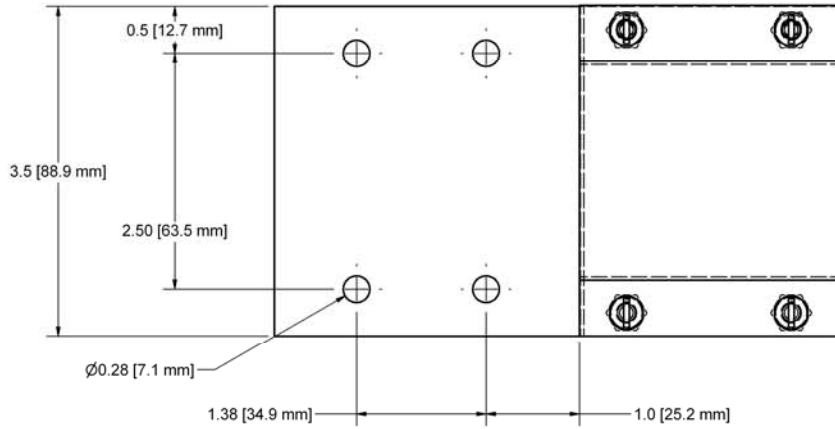


REV	ECO	DESCRIPTION	DATE	BY	APP
	N/A	INITIAL RELEASE	7/10/2009	GL	N/A



PARTS LIST		
ITEM	DESCRIPTION	QTY
1	COUPLING GUARD BASE FORMED	1
2	COUPLING GUARD HOOD FORMED	1
3	10-24 X 1/2 RHMS Z/P	4
4	#10 LOCKWASHER Z/P	4
5	10-24 HEX NUT Z/P	4

DRAWN	7/10/2009
CHECKED	N/A
APPROVED	7/10/2009


**Conveyor Components Company**  
 130 Seltzer Road  
 Crosswell, Michigan, U.S.A., 48422

TITLE  
**305 PRODUCT DRAWING**

Drawing is computer generated, and print might not be to scale		
SIZE	DWG NO	REV
C	D0200136.dwg	
SCALE	SHEET 1 OF 1	

PART  
**305**  
 THIS PRINT IS PROPERTY  
 OF CONVEYOR  
 COMPONENTS CO., AND  
 MAY NOT BE USED IN  
 WHOLE OR PART WITHOUT  
 WRITTEN PERMISSION.