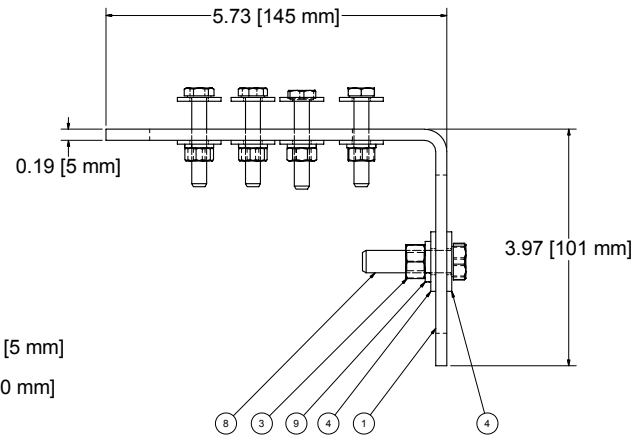
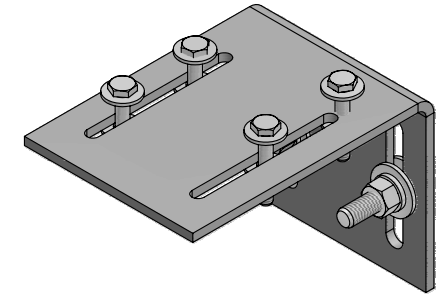
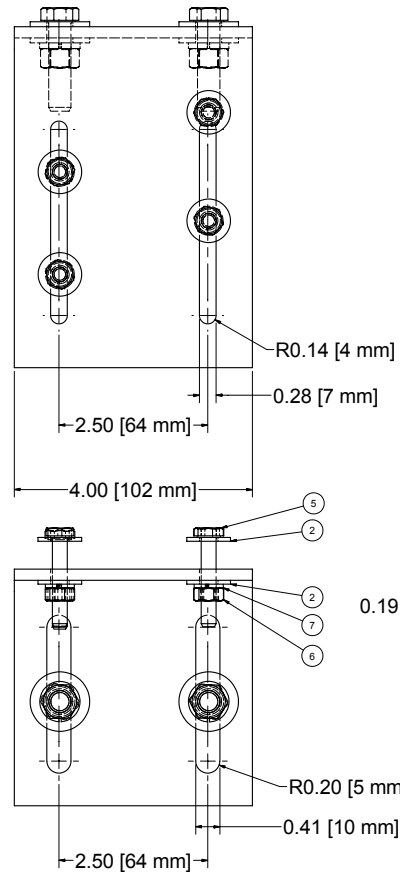


REV	ECO	DESCRIPTION	DATE	BY	APP
		INITIAL RELEASE	5/13/2010	GL	



REFERENCE: # CMS-10.

PARTS LIST		
ITEM	DESCRIPTION	QTY
1	SWITCH MOUNTING BRACKET FORMED A1 #310	1
2	1/4" FLATWASHER Z/P	8
3	3/8-16 HEX NUT Z/P	2
4	3/8 FLATWASHER Z/P	4
5	1/4-20 X 1-1/2 HEX HEAD CAP SCREW Z/P	4
6	1/4-20 HEX NUT Z/P	4
7	1/4" SPLIT LOCKWASHER Z/P	4
8	3/8-16 X 1-1/2 HEX HEAD CAP SCREW Z/P	2
9	3/8 LOCKWASHER Z/P	2

DRAWN	GL	5/13/2010	Conveyor Components Company 130 Seltzer Road Crosswell, Michigan, U.S.A., 48422	
CHECKED	JK	5/13/2010		
APPROVED	JK	5/13/2010	310 PRODUCT DRAWING	
THIS PRINT IS PROPERTY OF CONVEYOR COMPONENTS CO., AND MAY NOT BE USED IN WHOLE OR PART WITHOUT WRITTEN PERMISSION.			Drawing is computer generated, and print might not be to scale. SIZE: D DWG NO: D0200146.dwg SCALE:	REV:
			SHEET 1 OF 1	