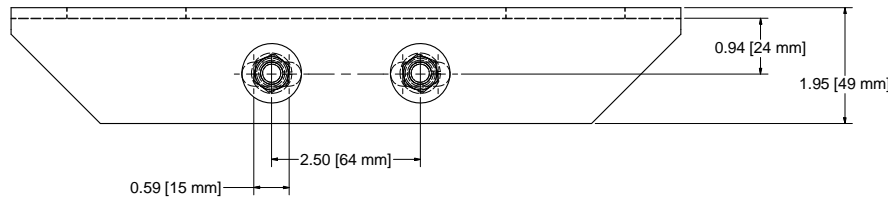
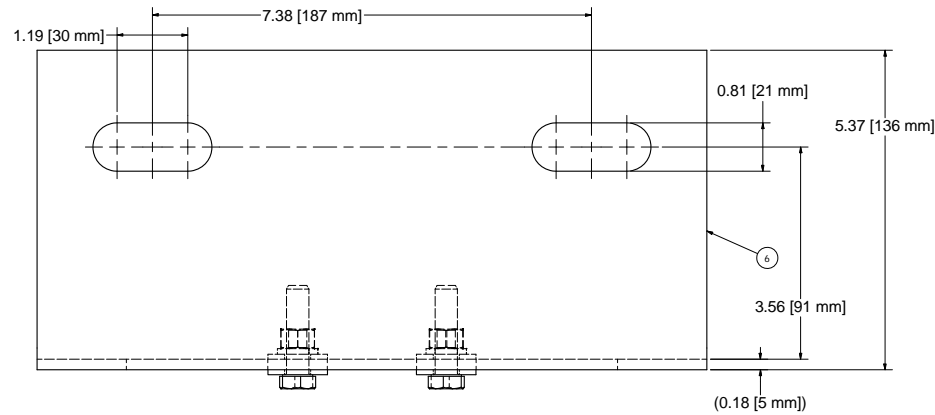
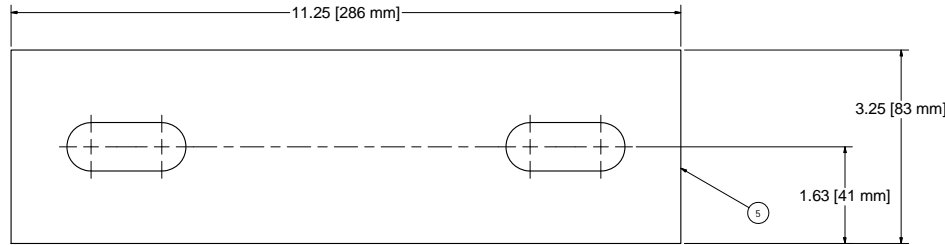
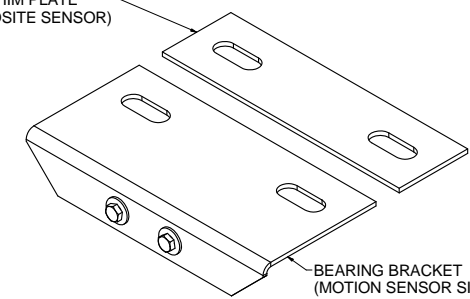


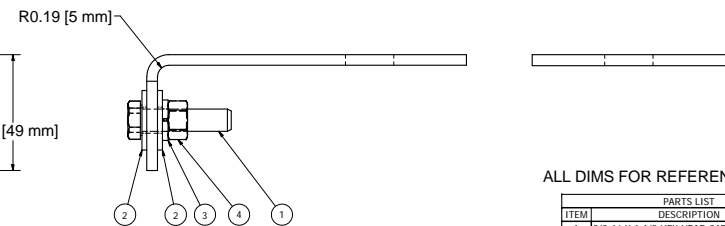
REV	ECO	DESCRIPTION	DATE	BY	AP
		INITIAL RELEASE	11/1/2011	GL	



BEARING SHIM PLATE
(SIDE OPPOSITE SENSOR)



BEARING BRACKET
(MOTION SENSOR SIDE)



ALL DIMS FOR REFERENCE ONLY.

PARTS LIST		
ITEM	DESCRIPTION	QTY
1	3/8-16 X 1-1/2 HEX HEAD CAP SCREW Z/P	2
2	3/8 FLATWASHER Z/P	4
3	3/8 LOCKWASHER Z/P	2
4	3/8-16 HEX NUT Z/P	2
5	SHIM PLATE B2	1
6	BEARING BRACKET FORMED B-2, #312	1

DRAWN GL	11/1/2011	 130 Selzer Road Crosswile, Michigan, U.S.A. 48422
CHECKED JK	11/3/2011	
APPROVED JK	11/3/2011	TITLE 312 (MS-12) PRODUCT DRAWING
PART B12 (MS-12)		DESCRIPTION Drawing is computer generated, and print might not be to scale.
THIS PRINT IS PROPERTY OF CONVEYOR COMPONENTS CO., AND MAY NOT BE USED IN WHOLE OR PART WITHOUT WRITTEN PERMISSION.		SIZE D
		DWG NO D0200148.dwg
		SCALE
		REV
		SHEET 1 OF 1