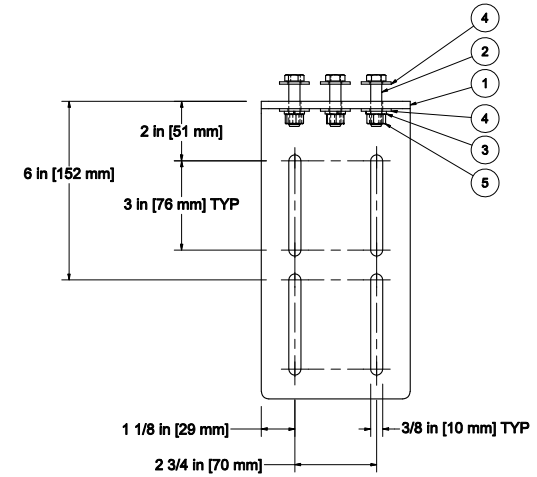
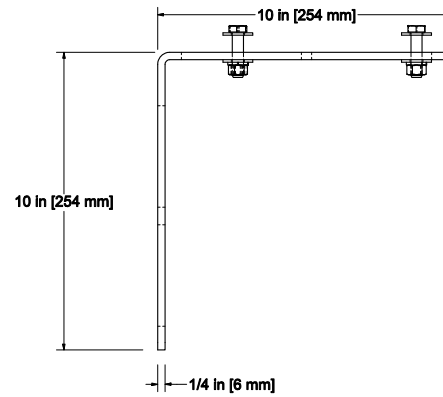
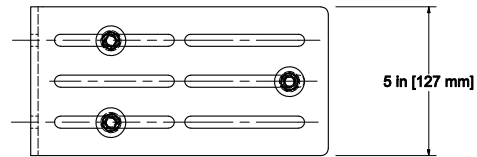
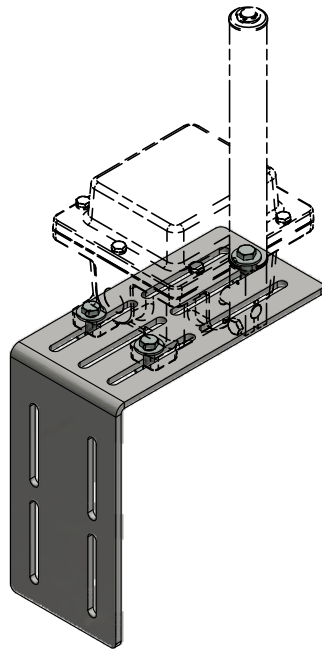


REV	ECO	DESCRIPTION	DATE	BY	APPD
A	0320c	NEW DRAWING	1/23/2020	GL	DLG



ALL DIMS FOR REFERENCE ONLY.

PARTS LIST		
ITEM	DESCRIPTION	QTY
1	TA-30 BASE	1
2	3/8-16 X 1-1/2 HEX HEAD CAP SCREW Z/P	3
3	3/8 LOCKWASHER Z/P	3
4	3/8 USS FLATWASHER Z/P	6
5	3/8-16 HEX NUT Z/P	3

DRAWN GL CHECKED DLG APPROVED DLG PART TA-30 THIS PRINT IS PROPERTY OF CONVEYOR COMPONENTS CO., AND MAY NOT BE USED IN WHOLE OR PART WITHOUT WRITTEN PERMISSION.	10/14/2011 2/20/2020 2/20/2020	Conveyor Components Company Division of Helmer Control, Inc. 130 Seltzer Road, Crossville, Michigan 49622 U.S.A.	TITLE PRODUCT DRAWING: TA-30 Drawing is computer generated, and print might not be to scale SIZE D DWG NO D1030044.dwg REV A SCALE SHEET 1 of 1
---	--------------------------------------	--	--