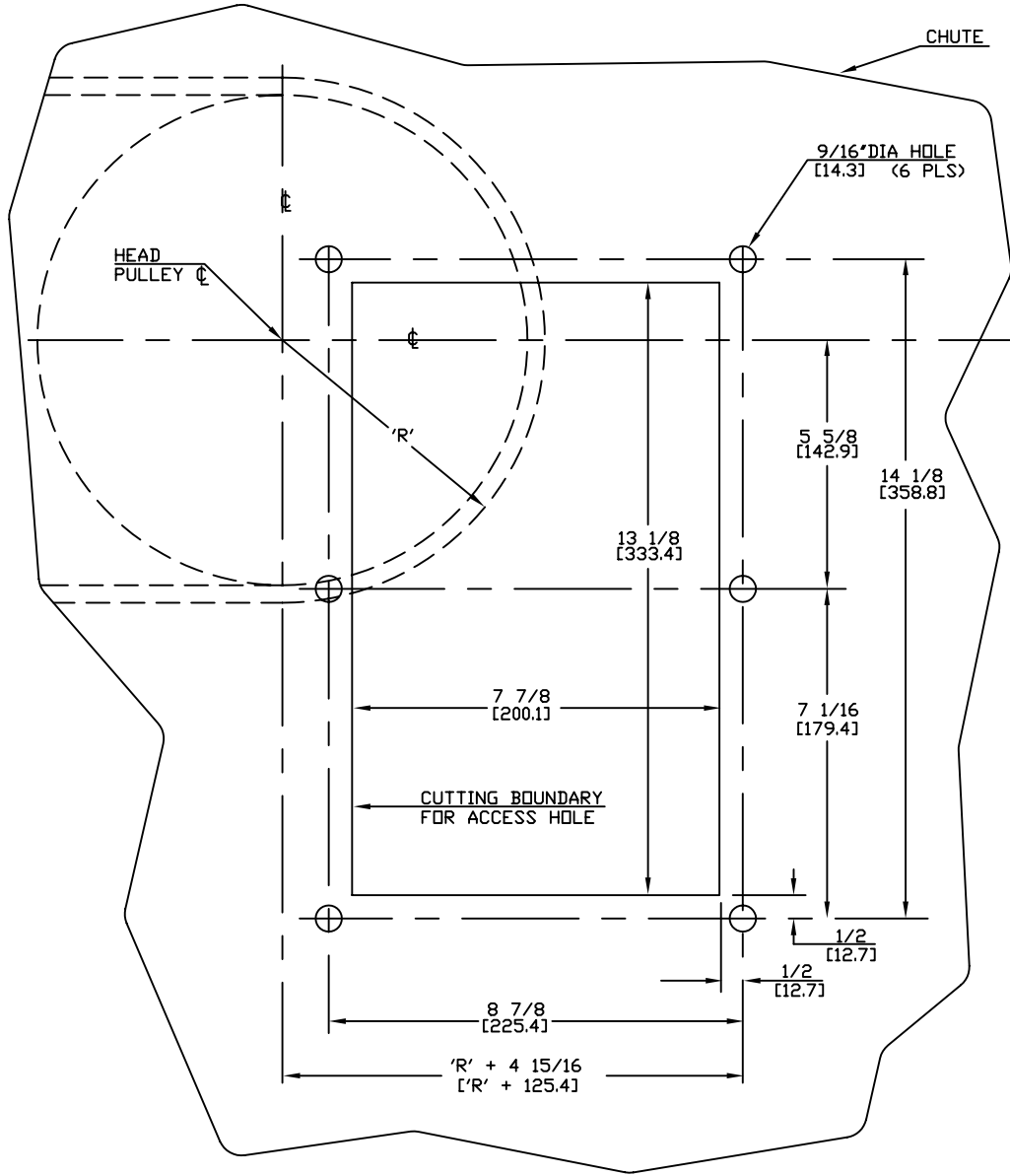
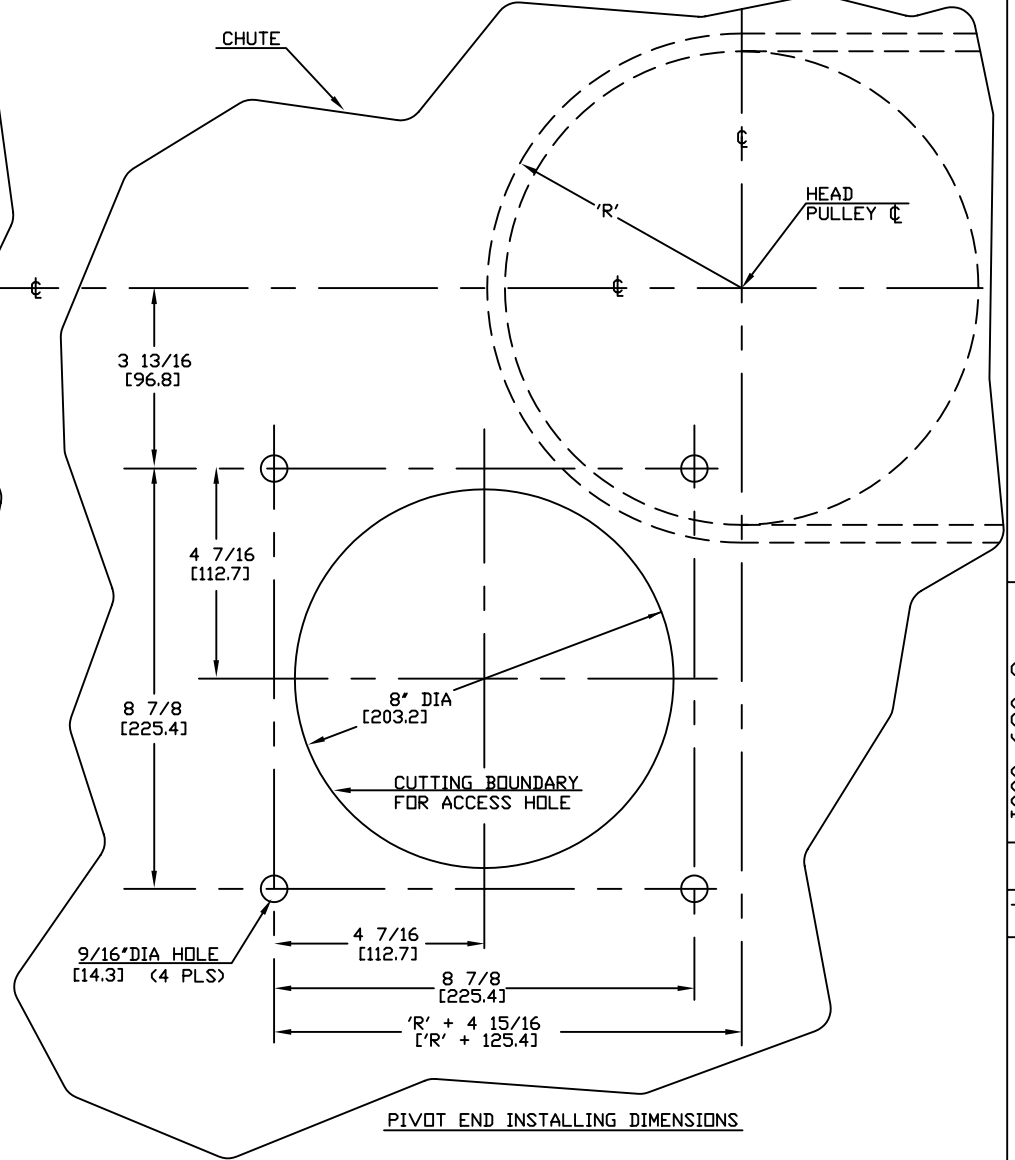


REVISIONS				
REVE.C.O. NO.	DESCRIPTION	BY	APP'D	DATE
E 0179	REDRAW TO COMPUTER	RM	JK	8-14-89
F 0706	ADD METRIC DIM	RM	JK	7-31-92



SERVICE END INSTALLING DIMENSIONS



PIVOT END INSTALLING DIMENSIONS

NOTE: ALL DIMENSIONS IN [] ARE IN MILLIMETERS

USE WITH DWG D-039-0002, D-039-0003

THIS DRAWING IS COMPUTER GENERATED.				
DWN RM	DATE 7-28-82	CONVEYOR COMPONENTS COMPANY		
CKD CO	DATE 7-29-82	130 SELTZER ROAD, CROSWELL, MI. 48422		
APD JK	DATE 9-1-82	MODEL RLP-358 BELT CLEANER		
THIS PRINT IS THE PROPERTY OF CONVEYOR COMPONENTS CO. AND MUST NOT BE USED IN WHOLE, OR PART WITHOUT WRITTEN PERMISSION. PLEASE RETURN ON DEMAND.		INSTALLATION INSTRUCTIONS		
PART NO.	DWG.NO.	REV		
	C-039-0001	F		
SCALE	HALF	SHT.		

DWG. NO. C-039-0001 SHT. REV. F