



CONVEYOR COMPONENTS COMPANY

130 Seltzer Road, PO Box 167 • Croswell, MI 48422 USA

PHONE: (810) 679-4211 • TOLL FREE (800) 233-3233 • FAX: (810) 679-4510

Email: info@conveyorcomponents.com • <http://www.conveyorcomponents.com>

MODEL DPT DIAGONAL PLOW-TYPE CONVEYOR BELT CLEANER

WARNING:

DEATH or SERIOUS INJURY may occur.

Before installing or adjusting, shut down and physically lock-out the conveyor system.

The Model DPT is a heavy duty, gravity-loaded, Diagonal Plow-Type cleaner for use on a variety of bulk materials. It employs an 80-durometer rubber wiper for maximum cleaning effectiveness. The compact size makes the Model DPT a good choice for areas where installation space is restricted.

The wiper blade on the Model DPT automatically floats and adjusts for wear. Gravity pulling down on the blade assembly keeps proper cleaner to belt contact for cleaning pressure. Adjustable stops keep the plow cleaner frame from contacting the belt.

FEATURES:

- * Conveyor belt can be reversed without damaging the belt or cleaner, and without loss of cleaning effectiveness.
- * Helps guard against "roll-back" damage when uphill conveyors are stopped.
- * Compact for use where space may be prohibitive.
- * Simple to install and maintain.
- * Field adjustable during installation to fit most conveyor frames.

The standard model DPT is equipped with a 1" thick x 6" high [25mm x 152mm], 80 durometer rubber wiper blade. Other blade material options are available upon request.

INSTALLATION: Refer to Figures 1 and 2

1. Mount side frames on conveyor frame or chute with lowest plate mounting hole 5.5" to 19" [140 to 483 mm] above the desired belt contact surface.
2. Measure between the slide pockets' inside surfaces. Cut the support tube ends to make the tube length ¼" [6mm] shorter than this dimension while keeping the blade position centered on the belt width.
3. Place the support tube in the slide pockets and mark for the two bolt holes.
4. Drill the tube ends with a 9/16" [14mm] drill and bolt into place.
5. Locate vertical stops (ref Figure 2) 1.75" [44mm] above side mounts to prevent the blade support assembly from contacting the belt.
6. Secure safety chains to conveyor frame.
7. The wiper assembly will float and self adjust until the stops are contacted, at which point the blade can be turned over and adjusted per steps 5 through 6. Always shut down and physically lock-out the conveyor before making any adjustments.

Table 1: Models and Wiper Sizes

BELT WIDTH	MODEL	SPARE BLADE	WIPER LENGTH	WIPER LENGTH
12 in	DPT-12	WBD-12	20 in	508 mm
16 in	DPT-16	WBD-16	26 in	660 mm
18 in	DPT-18	WBD-18	29 in	737 mm
20 in	DPT-20	WBD-20	32 in	813 mm
24 in	DPT-24	WBD-24	37 in	940 mm
30 in	DPT-30	WBD-30	46 in	1168 mm
36 in	DPT-36	WBD-36	54 in	1372 mm
42 in	DPT-42	WBD-42	63 in	1600 mm
48 in	DPT-48	WBD-48	71 in	1803 mm
54 in	DPT-54	WBD-54	80 in	2032 mm
60 in	DPT-60	WBD-60	88 in	2235 mm
72 in	DPT-72	WBD-72	105 in	2667 mm
84 in	DPT-84	WBD-84	122 in	3099 mm
96 in	DPT-96	WBD-96	139 in	3531 mm
102 in	DPT-102	WBD-102	147 in	3733 mm

Figure 1: Side Mounting Plate Dimensions

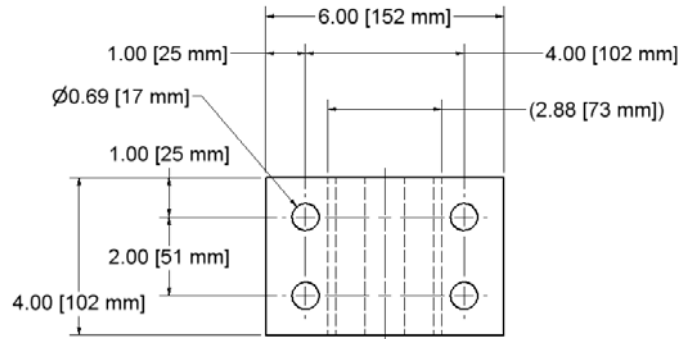


Figure 2: Overall Dimensions (Model DPT-36 shown)

