

INSTALLATION INSTRUCTIONS

READY GATE ADJUSTABLE SAFETY GATE



Please read and save these instructions. Read carefully before attempting to assemble, install, operate or maintain the product described. Protect yourself and others by observing all safety information. Failure to comply with instructions could result in personal injury and/or death. Retain instructions for future reference. Assembly and installation of the adjustable safety gate can be inherently dangerous. Take all precautions necessary during assembly and installation.



Conveyor Components Company

Division of Material Control, Inc. | Crosswell, Michigan U.S.A.

READY GATE
MADE IN THE USA

TOOLS NEEDED

7/16" (11 mm) Wrench (2)



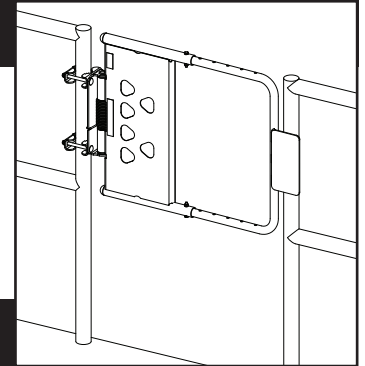
Rubber Mallet



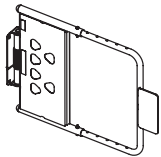
9/16" (14 mm) Wrench



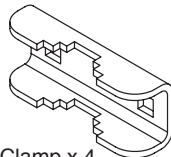
Safety Glasses



PARTS



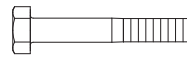
Gate x 1



Clamp x 4



Carriage Bolt x 4



1/4-20 Hex Cap Screw x 2



1/4-20 Hex Locknut x 2



3/8" Flat Washer x 4



3/8-16 Hex Locknut x 4

Hardware Package

INSTALLATION



DANGER! Death or serious injury may occur if improperly installed or used.

- Installation can be dangerous.
- Read all instructions thoroughly before installing.
- Gate must be installed to prevent unintended passage or fall into elevation change or other hazard.
- Gate must not open toward the elevation change or other hazard.
- Gate must fully close automatically
- Only install gate on metal safety railing systems that comply with OSHA 1910, ANSI A1264 and other applicable standards for guardrails.
- ONLY install in application where the top of the tube panel is 41" or higher.
- Take necessary precautions during the mounting process.
- Do not fully tighten mounting bolts until instructed to do so.

SAFETY RAILING MOUNTING (Figures 1-2)

1. The gate is intended for mounting on 1" to 2" round or square safety guardrail posts. When mounting on 2" square or round safety guardrail vertical posts, use only the mounting plate and outside clamps. Use both inside and outside clamps for safety guardrail vertical post sizes less than 2". The gate can be mounted on a flat wall by omitting the clamps (hardware not provided).
2. Select the mounting clamps, carriage bolts, washers, and locknuts to attach the mounting plate to the safety guardrail vertical post.



DANGER! Death or serious injury may occur if improperly installed or used.

3. Mount gate so the top gate sleeve is at the same height as the safety guardrail top. (See Figures 1-2)
4. Install carriage bolts through mounting plate away from gate. The clamp teeth must face the safety guardrail vertical post.
5. Install inside mounting clamps onto the carriage bolts.
6. Place the top outside mounting clamp on the opposite side of the safety guardrail vertical post onto the carriage bolts.
7. Outside of the top mounting clamp, place a flat washer and lock nut onto each carriage bolt, and hand tighten.
8. Repeat steps 6 & 7 for the outside bottom clamp.
9. Tighten mounting bolts with washers and lock nuts. Make sure all clamps are secure on the safety guardrail vertical post. (See Figure 1)

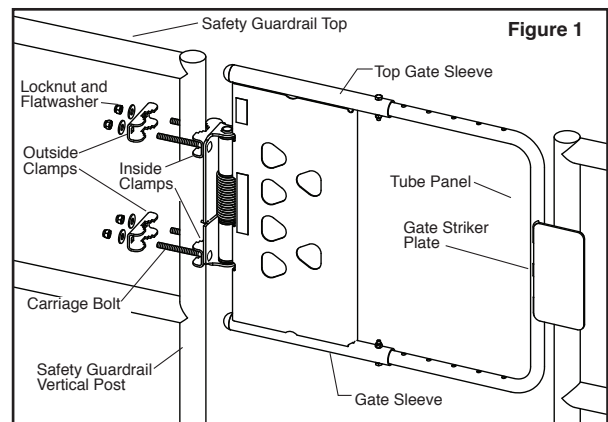
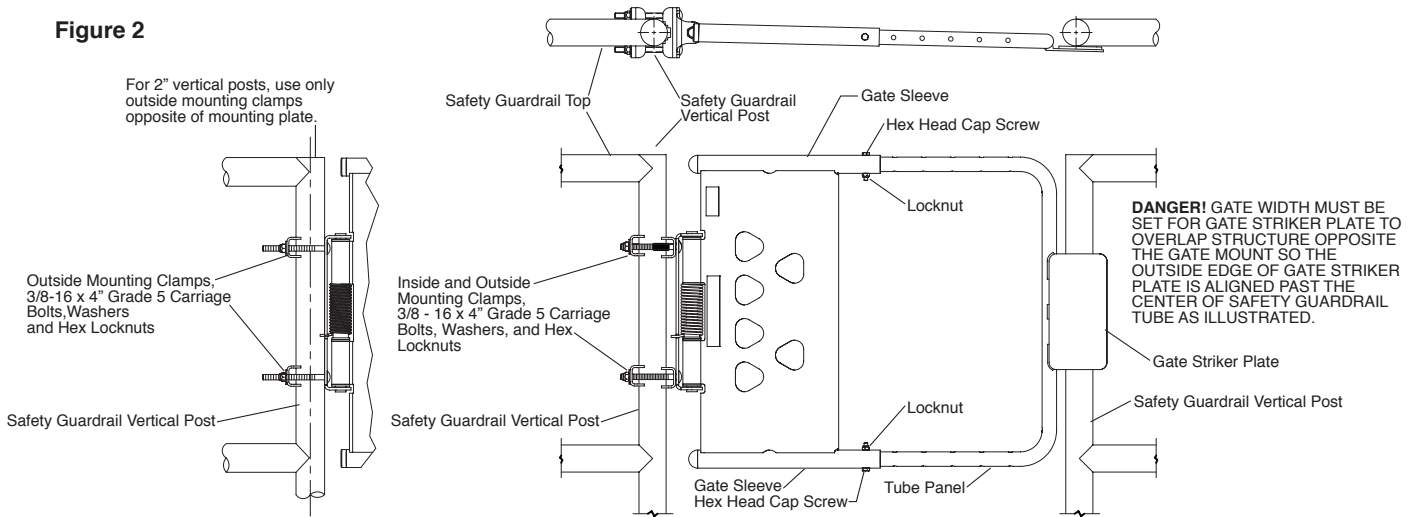


Figure 2



TIGHTEN MOUNTING BOLTS

1. Fully tighten all mounting bolts and nuts so clamps do not rotate around vertical mounting post.
2. Test gate to make sure it opens fully and automatically closes completely.



DANGER! A fall resulting in DEATH or SERIOUS INJURY may occur if gate is improperly installed or used. Gate must be installed to prevent unintended passage or fall into elevation change or other hazard. Gate must not open towards the elevation change or other hazard.



DANGER! A fall resulting in DEATH or SERIOUS INJURY may occur if gate is improperly installed or used. Do not prop gate open, or otherwise impede proper operation of the gate. Gate must fully close automatically.

2. Slide gate tube panel in or out to set position. Make sure the gate tube panel strike plate is positioned as shown in Figure 2.
3. Align holes in gate tube panel and gate sleeve.
4. Replace cap screws through aligned holes.
5. Replace locknuts and fully tighten.
6. Open gate and let close. Make sure gate fully closes automatically and stops in closed position as illustrated in Figure 2.



DANGER! A fall resulting in DEATH or SERIOUS INJURY may occur if gate is improperly installed or used. Do not use gate unless gate tube panel and the cap screws are in place and locknuts are securely tightened.

GATE WIDTH ADJUSTMENT



DANGER! A fall resulting in DEATH or SERIOUS INJURY may occur if gate is improperly installed or used. Gate width MUST be set for gate striker plate to overlap structure opposite the gate mount so the outside edge of gate striker plate is aligned past the center of guardrail tube, as illustrated in Figures 2. Gate width is adjustable in two inch increments.

1. Remove gate sleeve hex head cap screws and locknuts from gate sleeve and tube panel.

MAINTENANCE



DANGER! A fall resulting in DEATH or SERIOUS INJURY may occur if gate is improperly installed or used. If any of the conditions are suspected, barricade from use with warnings prohibiting use prominently displayed until gate can be replaced.

1. Inspect gate for any permanent deformation, corrosion, degradation, failure of the gate to fully close automatically or any condition impairing protective capability.
2. Be sure to keep pivot assembly free from dirt or debris. Do not use if pivot tube rotates in mounting plate.
3. To ensure that the gate fully closes automatically a few drops of mineral oil may be applied as needed to the pivot tube and bushings.

QUESTIONS OR INQUIRIES SHOULD BE DIRECTED TO:



Conveyor Components Company

Division of Material Control, Inc. | Crosswell, Michigan U.S.A.

(800) 233-3233

(810) 679-4211 • conveyorcomponents.com

©Copyright Conveyor Components Company, 2020

Division of Material Control, Inc.

