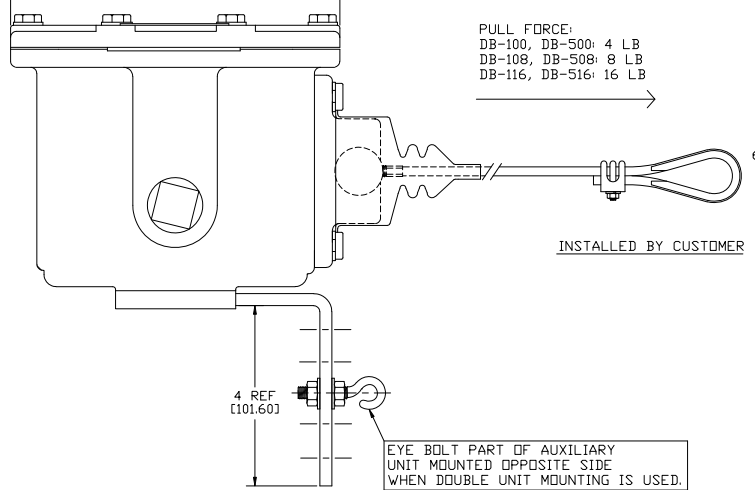
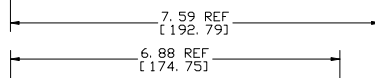
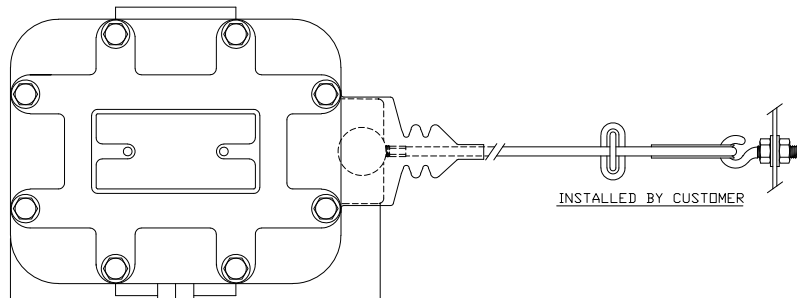
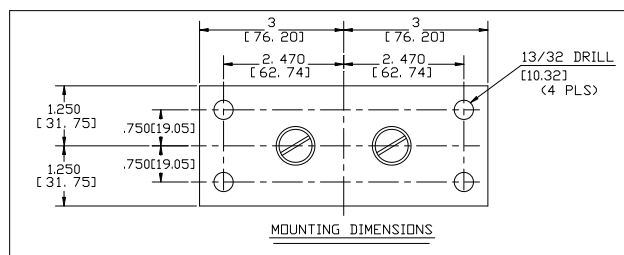
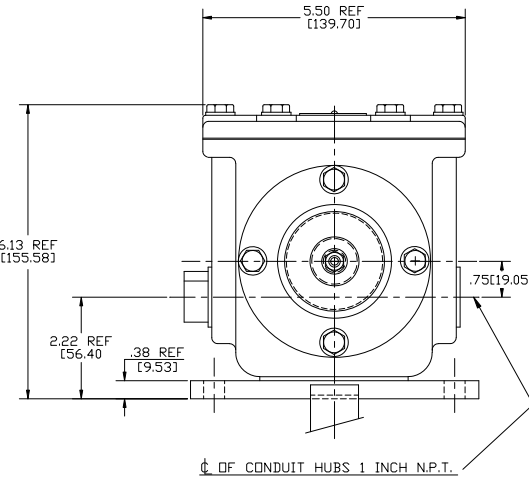


| | | | | |
|-----------|----------|------------------------------------------------------------|---------|----------|
| DWG. NO. | D0340025 | SHT. | REV. | |
| | | 1-1 | B | |
| REVISIONS | | | | |
| REV. | E.C.D. | DESCRIPTION | DATE | BY APP'D |
| B | 0221c | ADD ENCLOSURE RATING, PULL FORCE; NEW DRAWINGS FOR HAZ-LOC | 5/27/20 | LW GL |

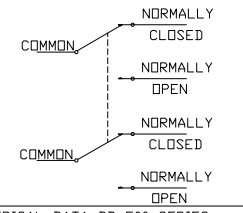


PULL FORCE:
 DB-100, DB-500: 4 LB
 DB-108, DB-508: 8 LB
 DB-116, DB-516: 16 LB

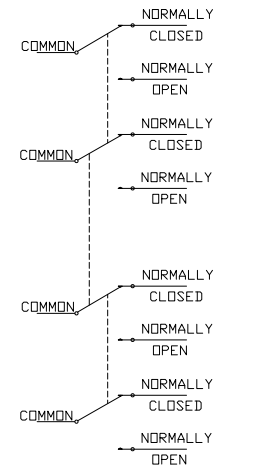


ENCLOSURE RATING:
 TYPE 4 & 4X

ELECTRICAL DATA DB-100 SERIES:
 2 SP/DT SWITCHES.
 SP/DT MICRO-SWITCH RATING:
 20 AMPS 125, 250 OR 480 VAC
 1 HP, 125 VAC; 2 HP, 250 VAC
 1/2 AMP, 125 VDC; 1/4 AMP, 250 VDC



ELECTRICAL DATA DB-500 SERIES:
 2 DP/DT SWITCHES.
 DP/DT MICRO-SWITCH DATA:
 15 AMPS, 125 OR 250 VAC
 3/4 HP, 125 VAC; 1-1/2 HP, 250 VAC



| | | | | |
|-------------------------------------------------------------------------------------------------------------------------|----|------|----------|-------------------|
| THIS DRAWING IS COMPUTER GENERATED. | | | | |
| DWN | GL | DATE | 11/25/02 | |
| CKD | | DATE | 11/25/02 | |
| APD | JK | DATE | 11/25/02 | |
| THIS PRINT IS THE PROPERTY OF CONVEYOR COMPONENTS CO. AND MUST NOT BE USED IN WHOLE OR PART WITHOUT WRITTEN PERMISSION. | | | PART NO. | DWG. NO. D0340025 |
| PLEASE RETURN ON DEMAND. | | | SCALE | N.A. |
| | | | SIZE | D |
| | | | SHT. | 1-1 |

DWG. NO. D0340025 SHT. REV. B