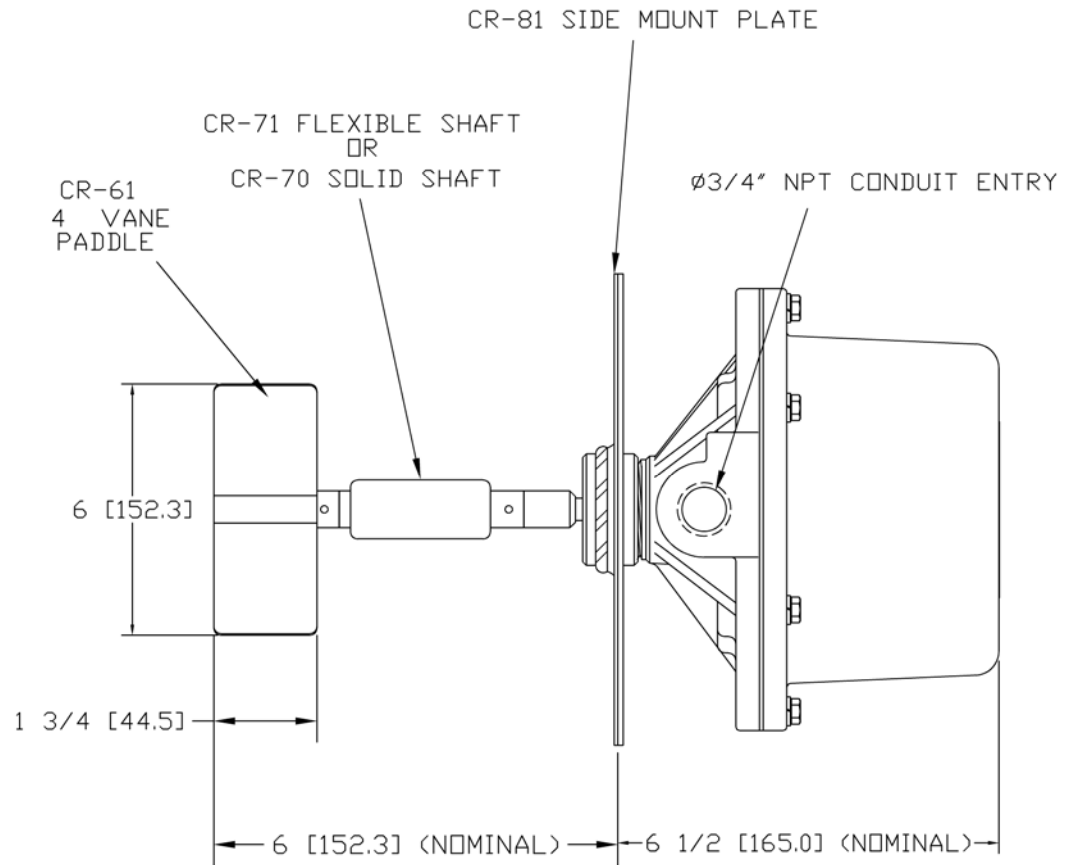
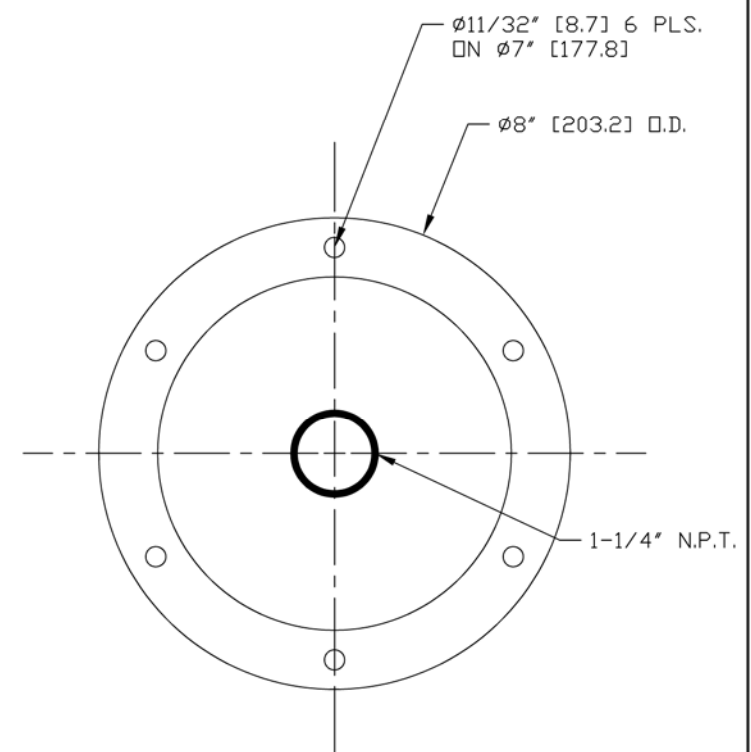


DWG. NO. B0010053 SHT. 1-1 REV.

REVISIONS				
REV.	E.C.O.	DESCRIPTION	DATE	BY APP'D

MOUNTING PLATE DIMENSIONS



ALL DIMENSIONS IN BRACKETS ARE IN MILLIMETERS.

THIS DRAWING IS COMPUTER GENERATED.				
DWN LK	DATE 08/05/99	CONVEYOR COMPONENTS CO.		
CKD	DATE	130 SELTZER RD, CROSWELL, MI 48422		
APD JK	DATE 08/05/99	CR W/4 VANE PADDLE & SHAFT EXTENSION		
THIS PRINT IS THE PROPERTY OF CONVEYOR COMPONENTS CO. AND MUST NOT BE USED IN WHOLE, OR PART WITHOUT WRITTEN PERMISSION.		PART NO.	DWG. NO. B0010053	REV.
PLEASE RETURN ON DEMAND.		SCALE NONE	SIZE B	SHT. 1-1