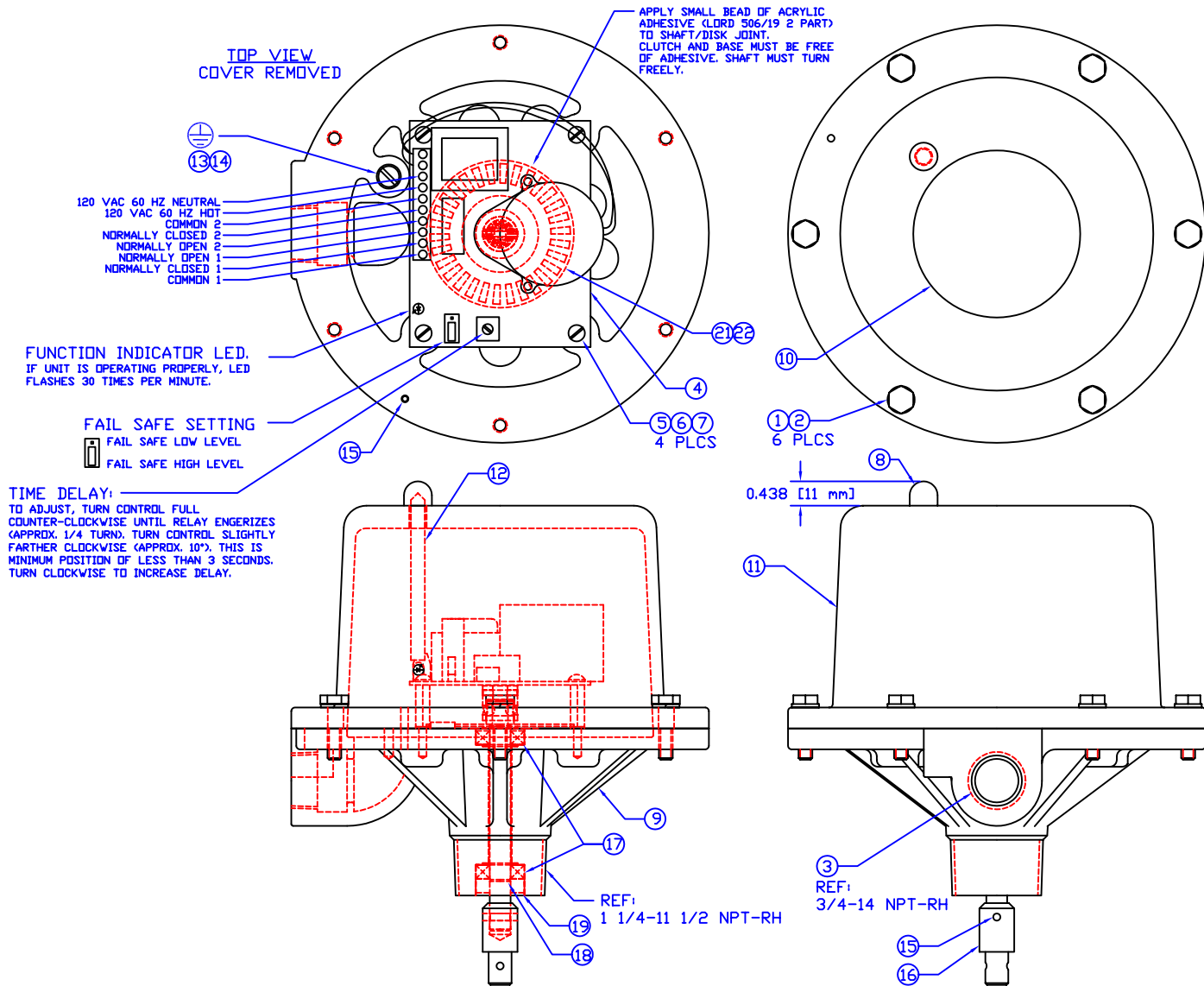


DWG. NO. D0010080		SHT. 1	REV.
REVISIONS			
REV.	E.C.D.	DESCRIPTION	DATE BY APP'D



NOTE: REF DWG D0010070 FOR GENERAL ARRANGEMENT AND DIMENSIONS.

MUSED ON 110V MODEL CRUX-2A
MUSED ON 220V MODEL CRUX-2B

22	20343099	---	3/8 X 5/8 X 22 GA WASHER Z/P	1	
21	20010209	A0010108	30 SEGMENT DISK FOR CRU	1	
20	20010211	A0010117	SHAFT ASSEMBLY FOR CRU	1	
19	20016505	---	SHAFT SEAL	1	
18	20016508	---	RETAINING RING 3/8	1	
17	20016504	---	BEARING R62	2	
16	20010011	A0010003	SHAFT ADAPTER	1	
15	20010115	---	1/8 X 5/8 ROLL PIN SST	2	
14	22013054	---	TERMINAL CUP WASHER	1	
13	2201073	---	10-32 X 1/4 PHNS GRN	1	
12	20010223	A0010112	LIGHT PIPE FOR CRU COVER	1	
11	20010218	D0010077	CRU ALUM EXP-PROOF MACH COVER	1	
10	20010216	A0010111	NAMEPLATE CRU	1	
9	20010221	D0010078	CRU ALUM EXP-PROOF MACHINED BASE	1	
8	20010201	---	LENS FOR CRU COVER	1	
7	22010429	---	89 LOCKWASHER Z/P	4	
6	22010004	---	8-32 X 3/8 RHNS	4	
5	20010080	---	88 X 3/4 HEX STANDOFF	4	
4	20010207	---	CRU PCB ASSY W/MOTOR 220V	1	
3	22010206	---	CRU PCB ASSY W/MOTOR 110V	1	
2	22018509	---	812 X CAP PLUG	1	
1	22010175	---	1/4 LOCKWASHER SST	6	
ITEM#/PART DWG				DESCRIPTION	QTY

THIS DRAWING IS COMPUTER GENERATED.			
DWN	GL	DATE	01/26/04
CKD	DATE	CONVEYOR COMPONENTS CO. 130 SELTZER RD, CROSWELL, MI 48422	
APD	JK	DATE	01/26/04
CRUX ASSEMBLY			
THIS PRINT IS THE PROPERTY OF CONVEYOR COMPONENTS CO. AND MUST NOT BE USED IN WHOLE, OR PART WITHOUT WRITTEN PERMISSION.			
PART NO.	DWG. NO.	REV.	
	D0010080		
SCALE	FULL	SIZE	D
SHT.	1-1		

DWG. NO. D0010080 SHT. 1 REV. 1