

- Blade pressure can be changed by moving weight on arm
- If necessary, counterweight can be located on only one side
- Double cleaning action available on Dual Blade unit
- Easy to install, unit adjusts in field to any size conveyor frame
- Our own durable solid rubber used as standard wiper
- Available for all belt sizes 12" thru 60"
- Safety stop
- Can be hung from conveyor frame as shown or bolted directly to conveyor discharge chute with optional flange mounting

## **MODEL CW MODEL CWD COUNTER- WEIGHTED CONVEYOR BELT CLEANER**

**EFFECTIVE AND EASY  
TO INSTALL, OUR  
COUNTERWEIGHTED  
CLEANERS OFFER  
CONSTANT, EVEN  
PRESSURE ACROSS  
ENTIRE BELT WIDTH**

Here's an effective rubber blade-type cleaner for just about every type of application. Counterweighted arms keep the rubber wiper in constant, firm contact with the belt to remove product build-up. In most cases where build-up is light to moderate, the single blade CW will handle the job.

For applications where material build-up gets quite heavy, the MODEL CWD is a more appropriate choice. Fitted with dual blade assembly, it gives the belt a "double sweep" for extra cleaning effort.

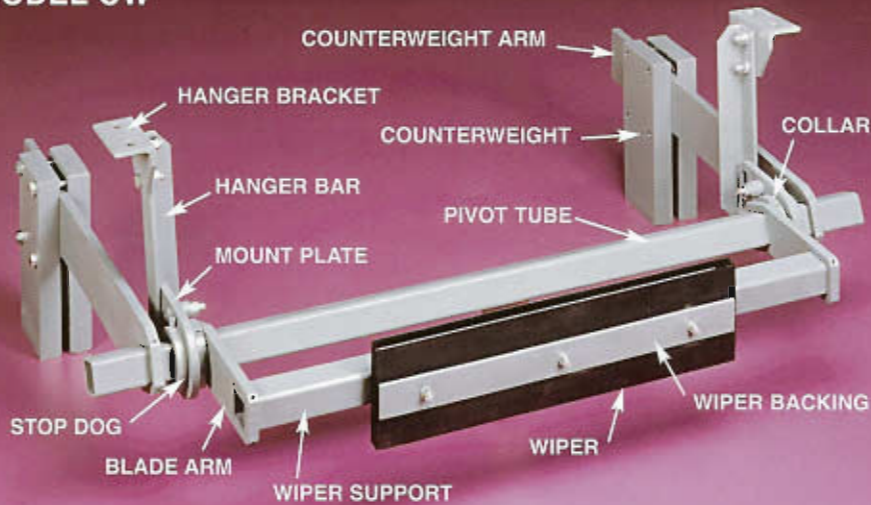
Both units apply even, constant pressure across the entire width of the belt. Blade/belt pressure can be easily adjusted by moving the counterweights.

Structural components are furnished two feet oversize with regard to belt width and can be field adjusted to fit any size conveyor frame. Either unit can be bolted directly to a chute or hung from the frame as shown in the drawing.



**CONVEYOR COMPONENTS COMPANY**

## MODEL CW

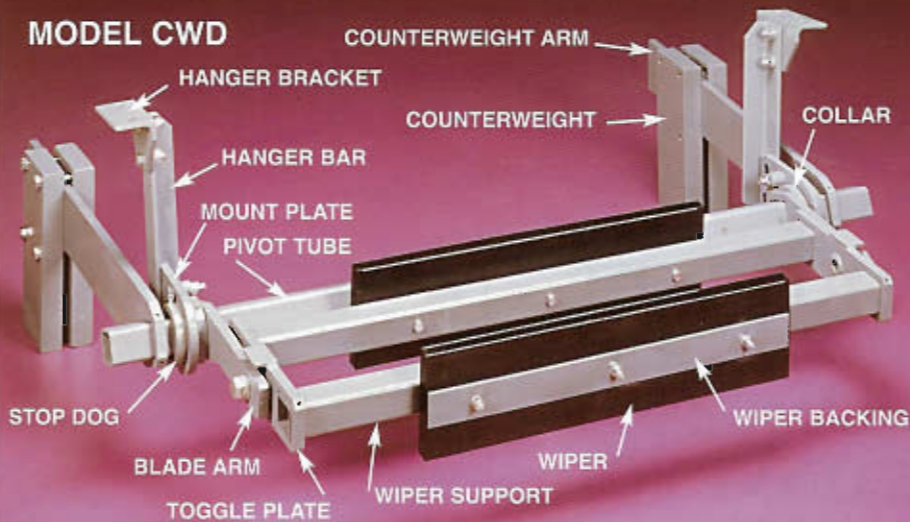


# SPECIFICATIONS AND INSTRUCTIONS

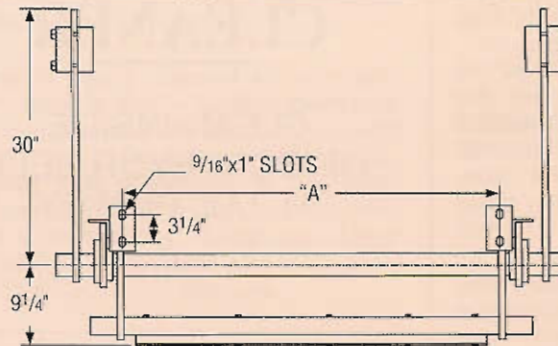
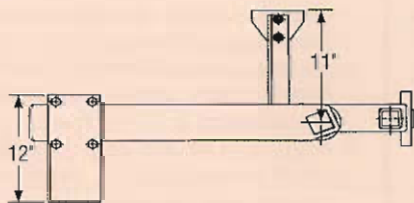
## CW/CWD INSTALLATION INSTRUCTIONS

1. Mount the cleaner so that the leading edge of the first wiper is directly below the center of the head pulley and the blade arm is approximately parallel with the belt.
2. Locate the counterweight arms so they are approximately horizontal.
3. Slide counterweights on arms and position for most effective cleaning.
4. Locate stops to prevent the wiper support from contacting the belt as the wiper wears.
5. Counterweight arms can be offset, lengthened or shortened in field by customer if necessary.

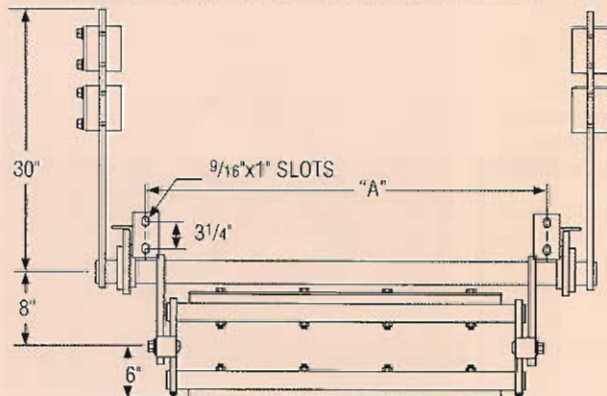
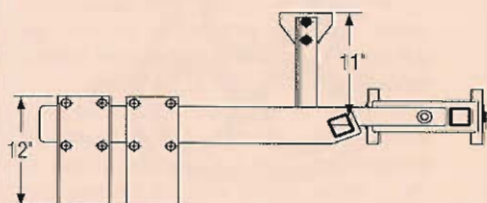
## MODEL CWD



## MODEL CW



## MODEL CWD



## DIMENSIONS

MODEL CW is the standard more commonly used unit. However, where there is a heavier buildup or materials on the belt, the two bladed MODEL CWD should be purchased.

BELT WIDTH	DIMENSION "A"	
	MIN.	MAX.
12"	10"	32"
18"	16"	36"
20"	18"	40"
24"	22"	44"
30"	28"	50"
36"	34"	56"
42"	40"	62"
48"	46"	68"
54"	52"	74"
60"	58"	80"
72"	70"	92"