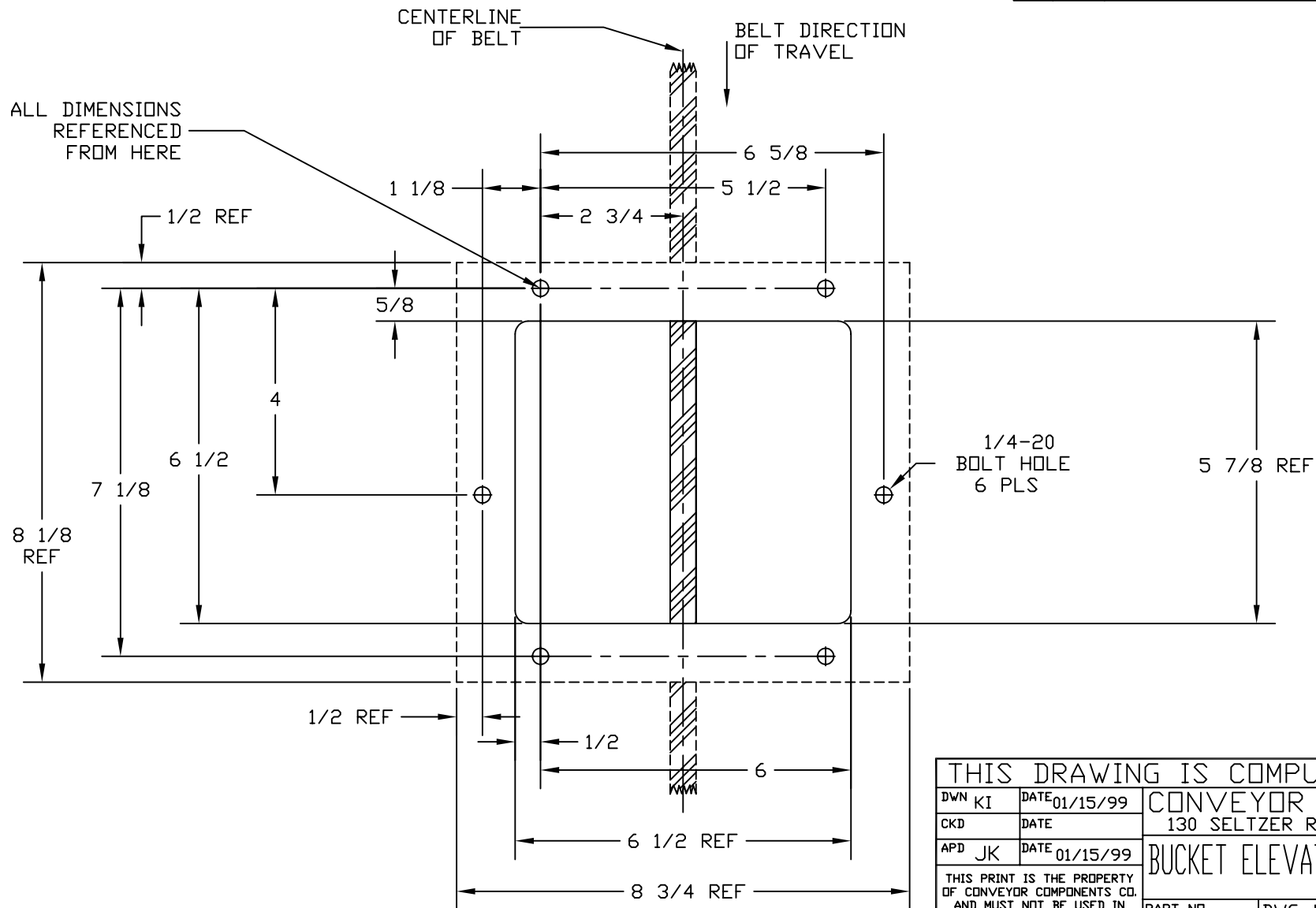


DWG. NO. B0060062

SHT. 1-1 REV.

REVISIONS				
REV.	E.C.O.	DESCRIPTION	DATE	BY APP'D



THIS DRAWING IS COMPUTER GENERATED.

DWN KI	DATE 01/15/99	CONVEYOR COMPONENTS CO.	
CKD	DATE	130 SELTZER RD, CROSWELL, MI 48422	
APD JK	DATE 01/15/99	BUCKET ELEVATOR MOUNTING PATTERN	

THIS PRINT IS THE PROPERTY OF CONVEYOR COMPONENTS CO. AND MUST NOT BE USED IN WHOLE, OR PART WITHOUT WRITTEN PERMISSION. PLEASE RETURN ON DEMAND.

PART NO. N/A	DWG. NO. B0060062	REV.
SCALE HALF	SIZE B	SHT. 1-1