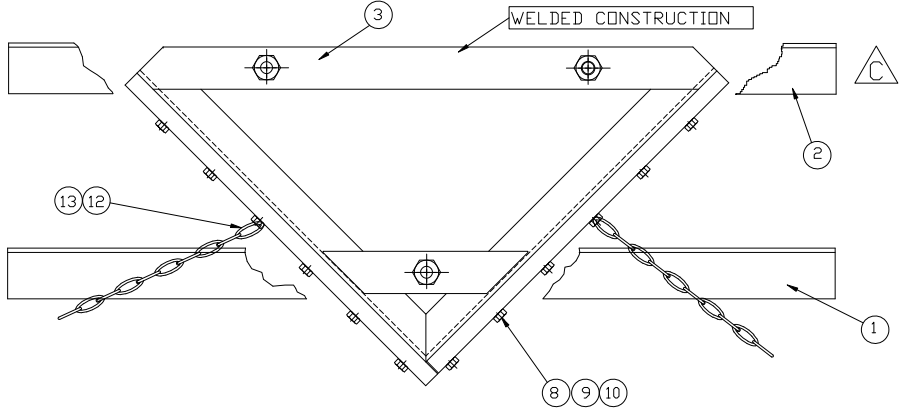


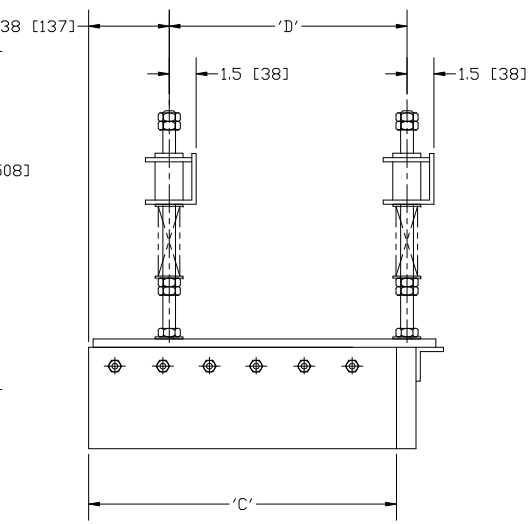
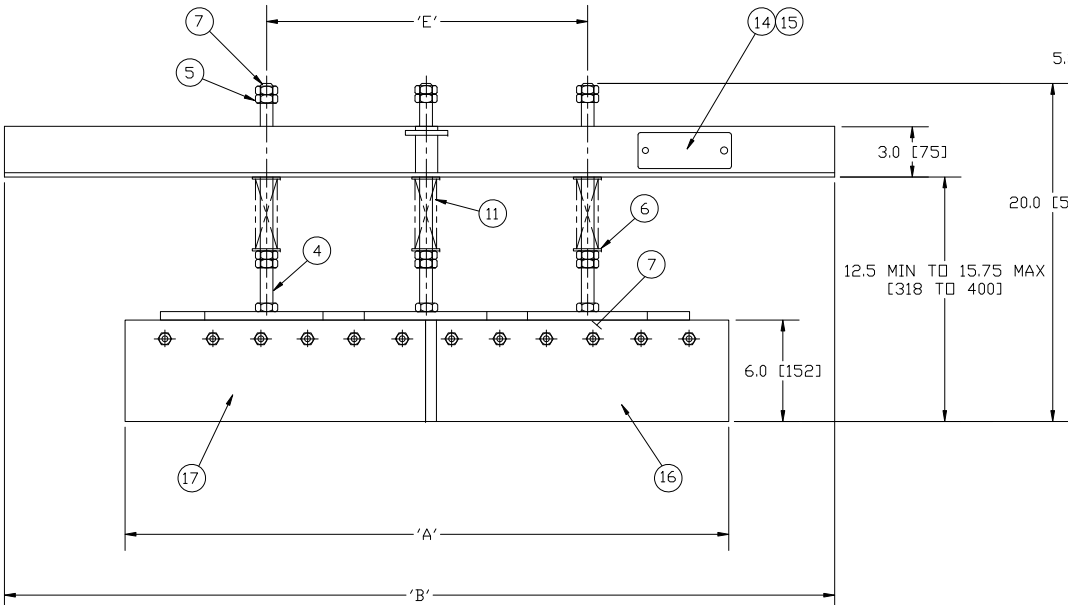
BELT WIDTH	FINAL ASSEMBLY PART NO.	'A'	'B'	'C'	'D'	'E'	F	G	H	I	J	QTY K	QTY L	QTY M
12 [305]	HPT-12	14 [356]	36 [914]	7 [178]	2.5 [64]	5 [127]	20300086	20300074	20300214	20300110	20300098	4	6	6
16 [406]	HPT-16	18 [457]	40 [1016]	9 [229]	4.5 [114]	9 [229]	20300087	20300075	20300215	20300111	20300099	6	8	8
18 [457]	HPT-18	20 [508]	42 [1067]	10 [254]	5.5 [140]	11 [279]	20300088	20300076	20300216	20300112	20300100	6	8	8
20 [508]	HPT-20	22 [559]	44 [1118]	11 [279]	6.5 [165]	13 [330]	20300089	20300077	20300217	20300113	20300101	8	10	10
24 [610]	HPT-24	26 [660]	48 [1219]	13 [330]	8.5 [216]	17 [432]	20300090	20300078	20300218	20300114	20300102	8	10	10

REVISIONS				
REV.	E.C.D.	DESCRIPTION	DATE	BY APP'D
C	2310	UPDATE PART NUMBERS	04/06/04	GL JK



ASSEMBLY COMPONENTS				
ITEM	DWG NO.	PART NO.	DESCRIPTION	QTY
1	B0300062	F	FRONT FRAME SUPPORT WELDMENT	1
2	B0300007	G	REAR FRAME SUPPORT WELDMENT	1
3	C0300046	H	HPT FRAME WELDMENT	1
4	A0300001		THREADED ROD	3
5	22014801		3/4-10 HEX NUT	12
6	22013105		3/4 FLAT WASHERS	6
7	20364802		3/4-10 NYLON INSERT HEX NUT	6
8	22011203		3/8-16 X 1 3/4 HHCS	K
9	22013102		3/8 FLAT WASHER	L
10	22014203		3/8-16 LOCK NUT (N.I.)	M
11	40115555		COMPRESSION SPRING PLATED	3
12	A0290015		PT AND HPT SAFETY CHAIN	2
13	22011204		3/8-16 X 2 HHCS	2
14	A0370007		NAMEPLATE	1
15	22016101		DRIVE RIVET	2
16	B0300064	J	LEFT RUBBER WIPER	1
17	B0300063	J	RIGHT RUBBER WIPER	1

*(BW) DENOTES BELT WIDTH
ALL DIMS IN [] ARE IN MILLIMETERS.



THIS DRAWING IS COMPUTER GENERATED.

DWN CLO	DATE 4/24/80	CONVEYOR COMPONENTS CO.	
CKD	DATE	130 SELTZER RD, CROSWELL, MI 48422	
APPD JK	DATE 4/24/80	MODEL HPT BELT CLEANER	
THIS PRINT IS THE PROPERTY OF CONVEYOR COMPONENTS CO. AND MUST NOT BE USED IN WHOLE, OR PART WITHOUT WRITTEN PERMISSION.		PART NO.	DWG. NO. C0300004
PLEASE RETURN ON DEMAND.		SCALE NONE	SHT. 1-1

DWG. NO. C0300004 SHT. REV. 1-1 C