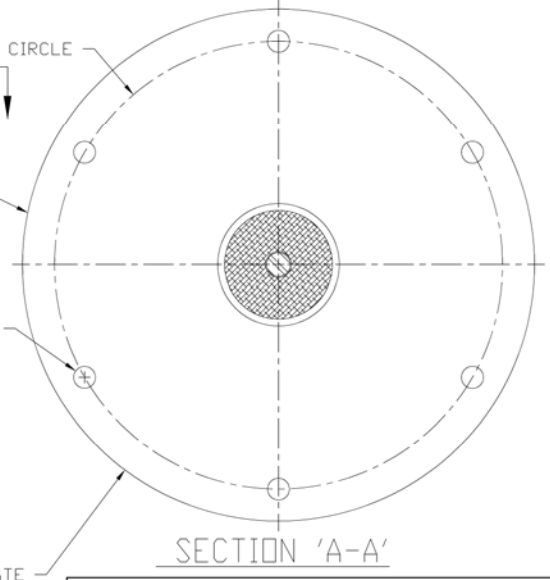
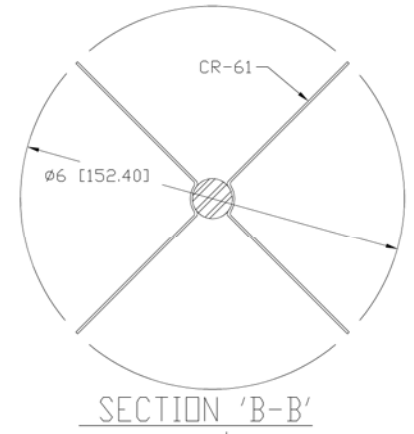
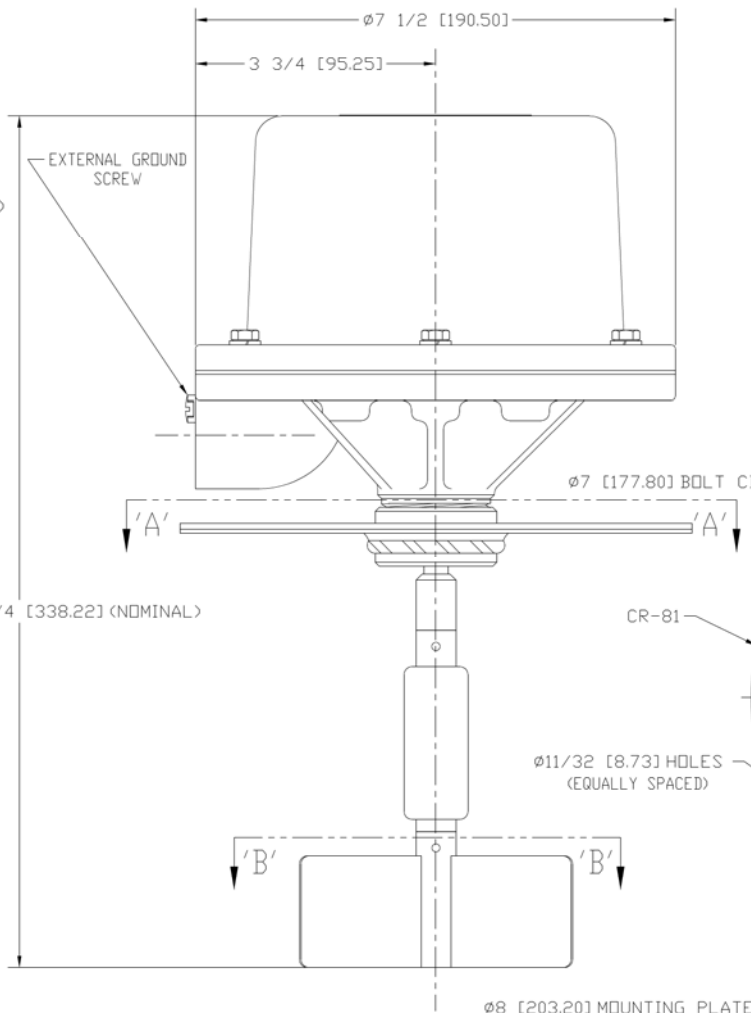
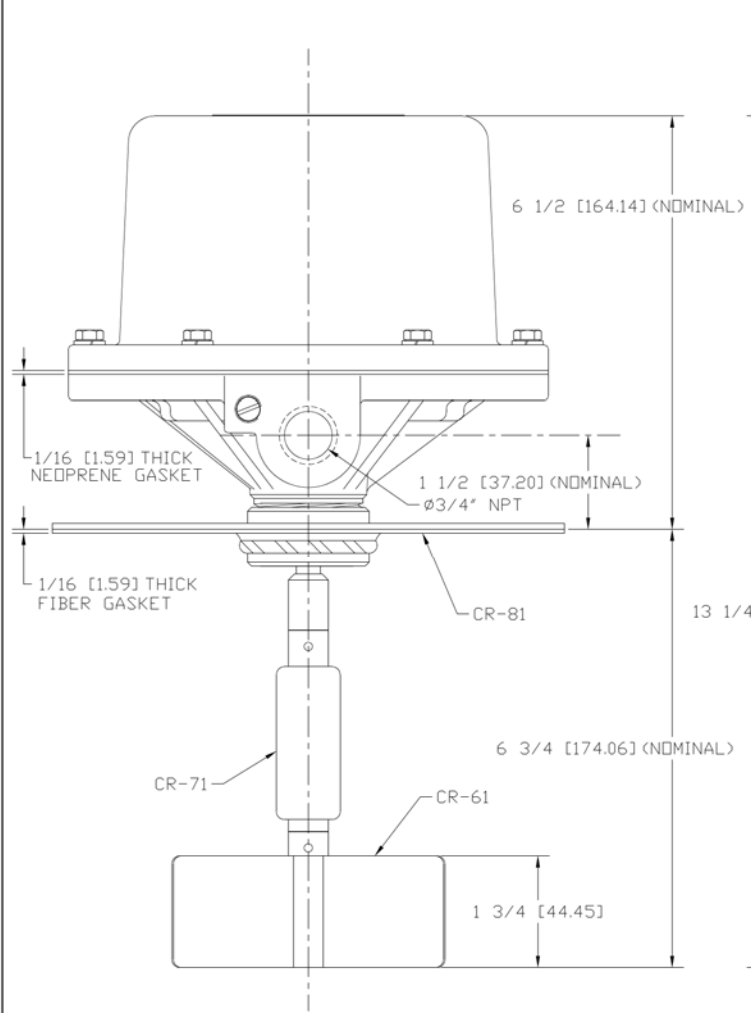


| | | | | |
|-----------|----------|-------------|------|----------|
| DWG. NO. | D0010070 | SHT. | REV. | 1-1 |
| REVISIONS | | | | |
| REV. | E.C.B. | DESCRIPTION | DATE | BY APP'D |



- NOTES:
- 1.) EXTERNAL GROUND SCREW IS STANDARD ON EUROPEAN MODELS ONLY.
 - 2.) EXPLOSION PROOF MODELS DO NOT HAVE A 1/16" NEOPRENE GASKET.
 - 3.) GRAY CAST IRON HOUSING IS AVAILABLE.
 - 4.) METRIC DIMENSIONS IN []

| | | | | |
|--|----|------|-------------------------------------|----------|
| THIS DRAWING IS COMPUTER GENERATED. | | | | |
| DWN | WR | DATE | 05/28/93 | |
| CKD | | DATE | 130 SELTZER RD, CROSSWELL, MI 48422 | |
| APD | JK | DATE | 05/28/93 | |
| THIS PRINT IS THE PROPERTY OF CONVEYOR COMPONENTS CO. AND MUST NOT BE USED IN WHOLE, OR PART WITHOUT WRITTEN PERMISSION. | | | PART NO. | D0010070 |
| PLEASE RETURN ON DEMAND. | | | SCALE | FULL |
| | | | | SHT. 1-1 |

DWG. NO. D0010070
SHT. REV. 1-1