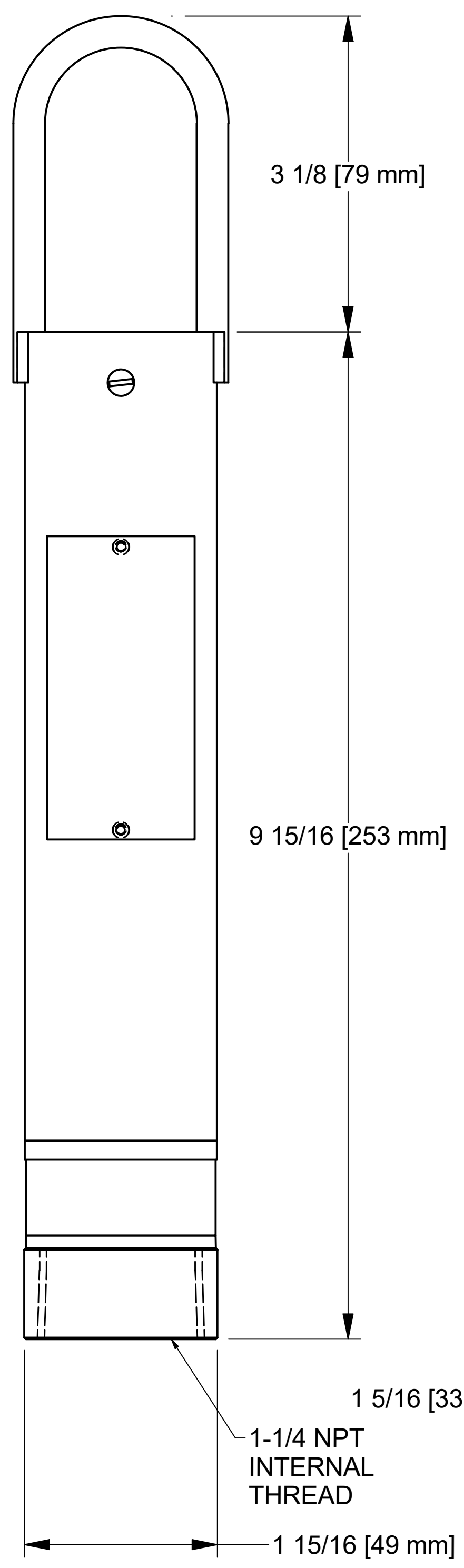
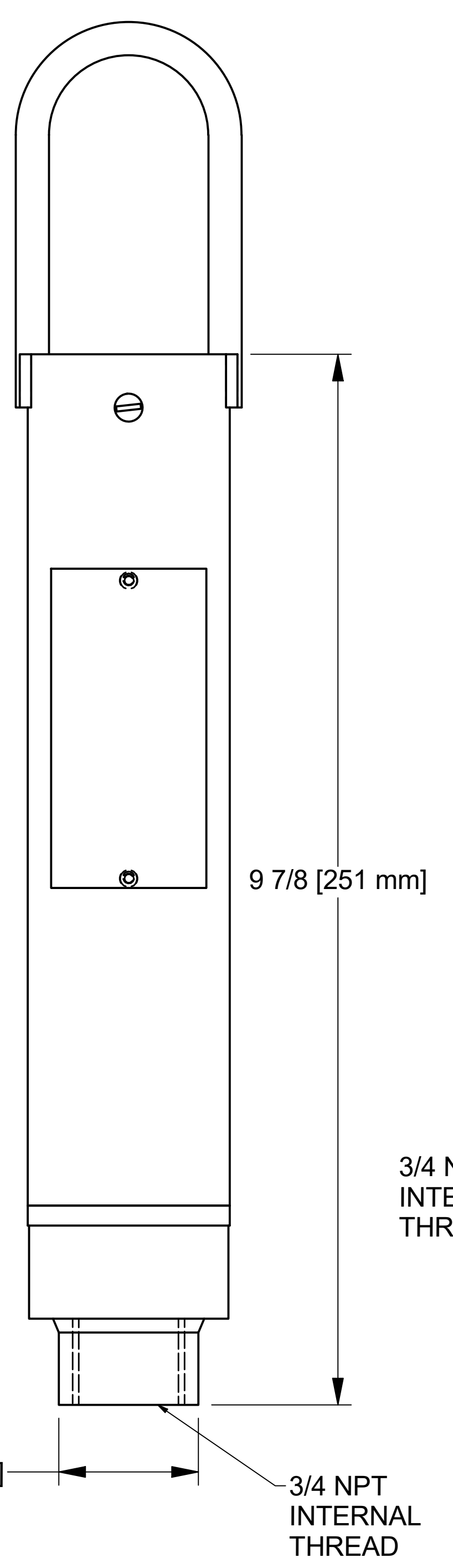


REV	ECO	DESCRIPTION	DATE	BY	APPD
B	0334c	ADD BSP COUPLING	05/28/2021	LW	GL

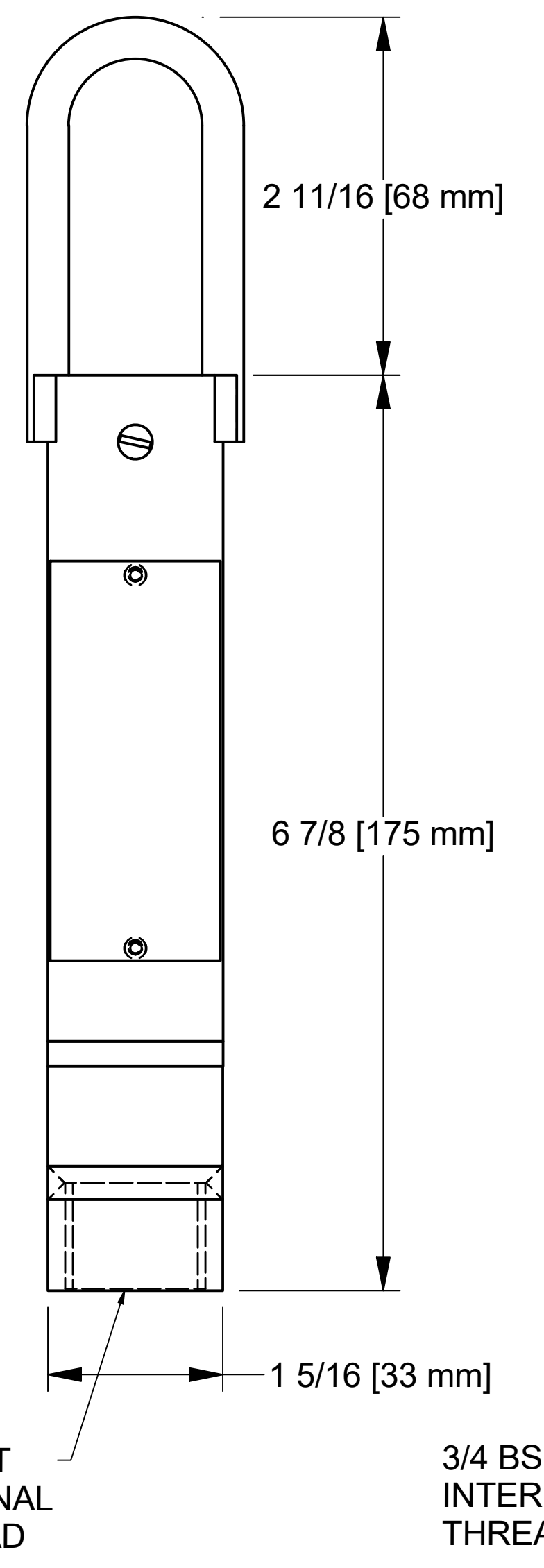
CT-201GC  
PROBE



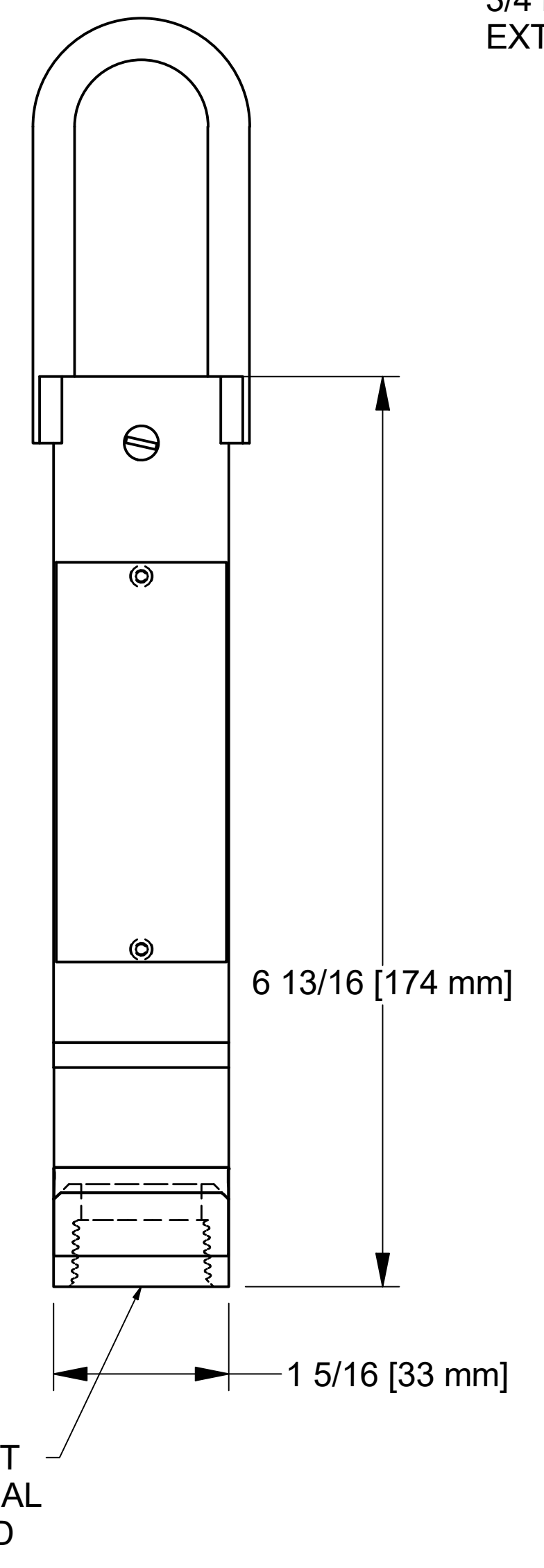
CT-201GC-3/4  
PROBE



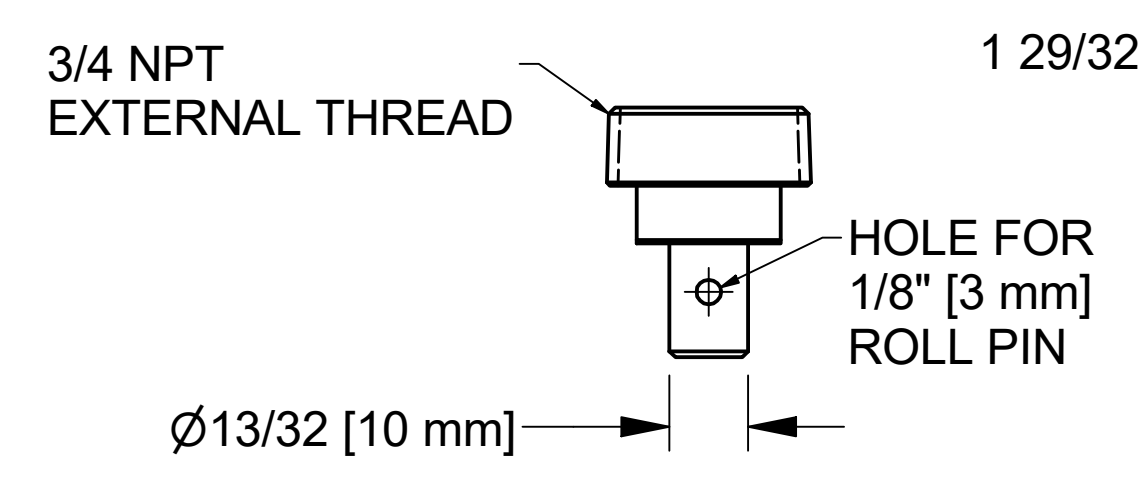
CT-200GC  
PROBE



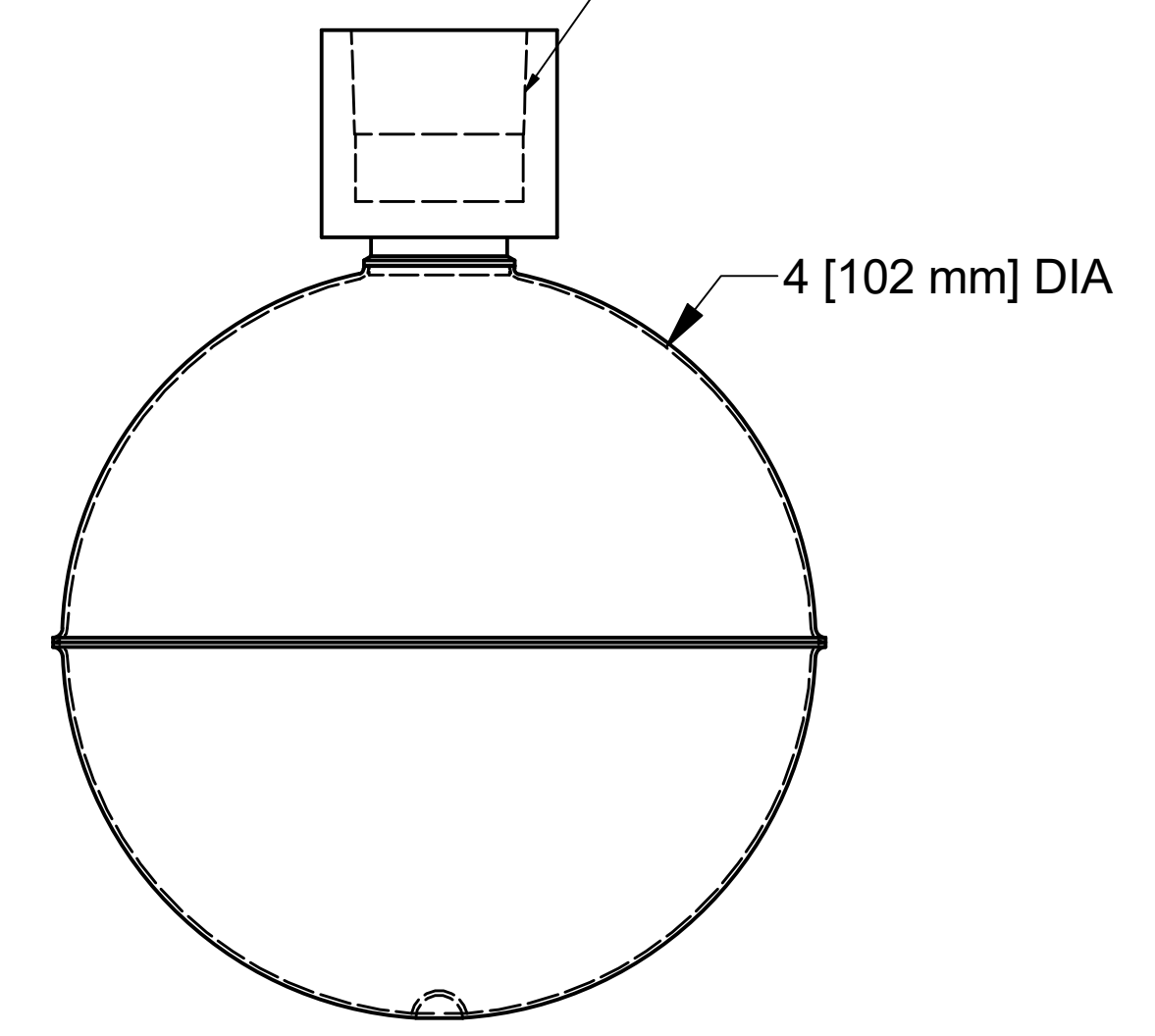
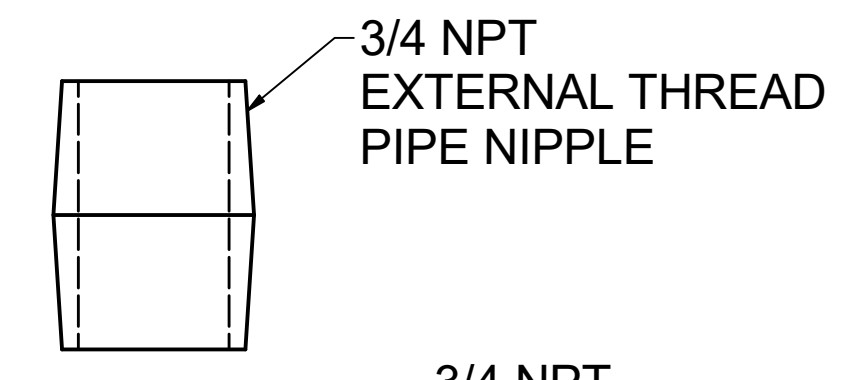
CT-200GC-BSP  
PROBE



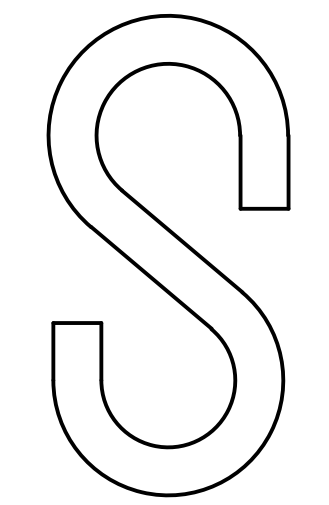
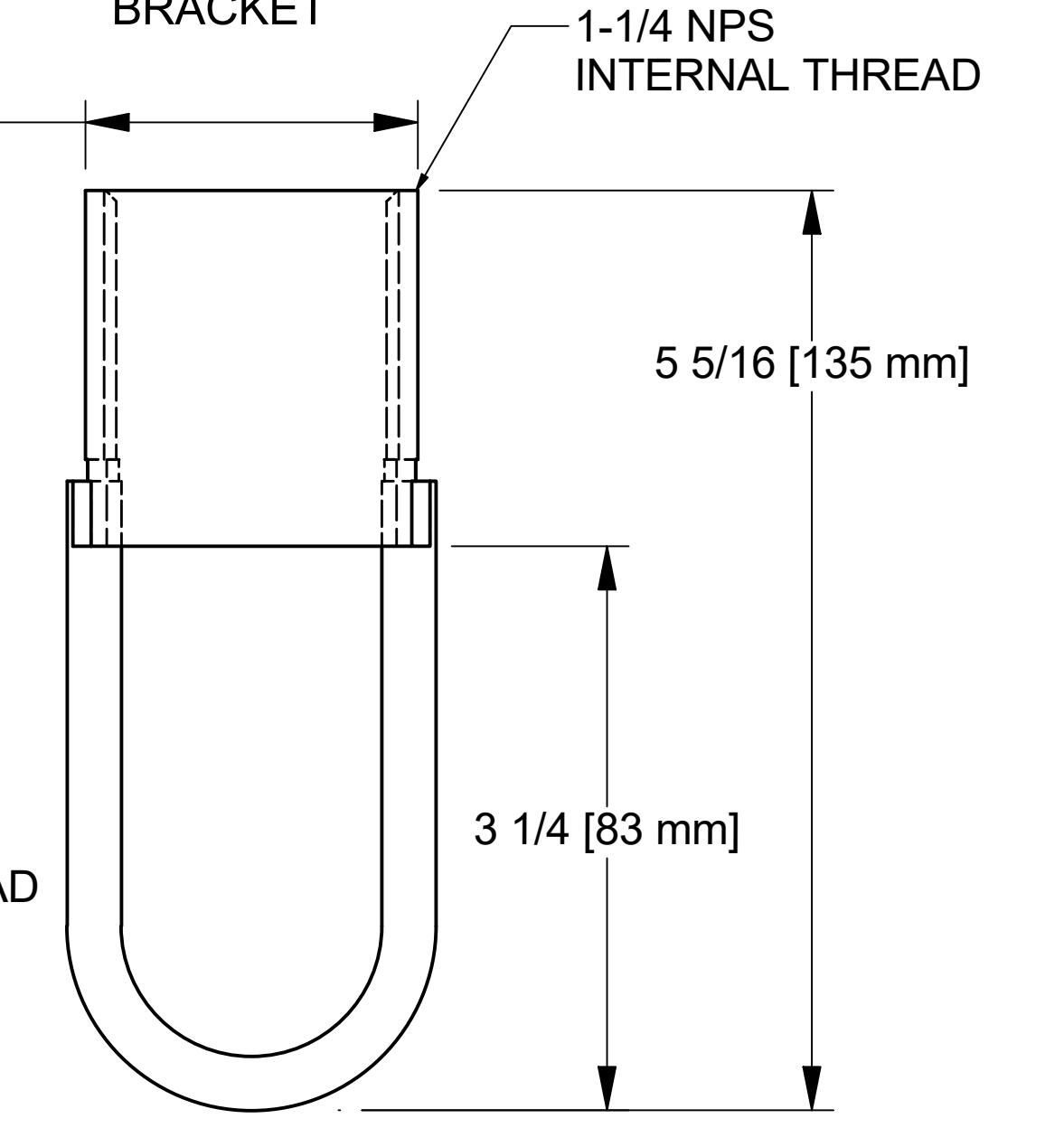
CT-700  
PADDLE ADAPTER



CT-600  
FLOAT BALL



CT-400  
MOUNTING  
BRACKET



CT-500  
S-HOOK

DIMENSIONS ARE FOR REFERENCE ONLY, AND ARE SUBJECT TO CHANGE WITHOUT NOTICE.

DRAWN	GL	7/18/2013	<p>Conveyor Components Company Division of Material Control, Inc. 130 Seltzer Road, Croswell, Michigan 48422 U.S.A.</p>
CHECKED	GL	6/7/2021	
APPROVED	JK	7/30/2013	
PART	TITLE		
THIS PRINT IS PROPERTY OF CONVEYOR COMPONENTS CO., AND MAY NOT BE USED IN WHOLE OR PART WITHOUT WRITTEN PERMISSION.			<p>CT-GC PROBE PRODUCT DRAWING</p> <p>Drawing is computer generated, and print might not be to scale</p>
SIZE	D	DWG NO	D0020079.dwg
SCALE		REV	B
			SHEET 1 OF 1