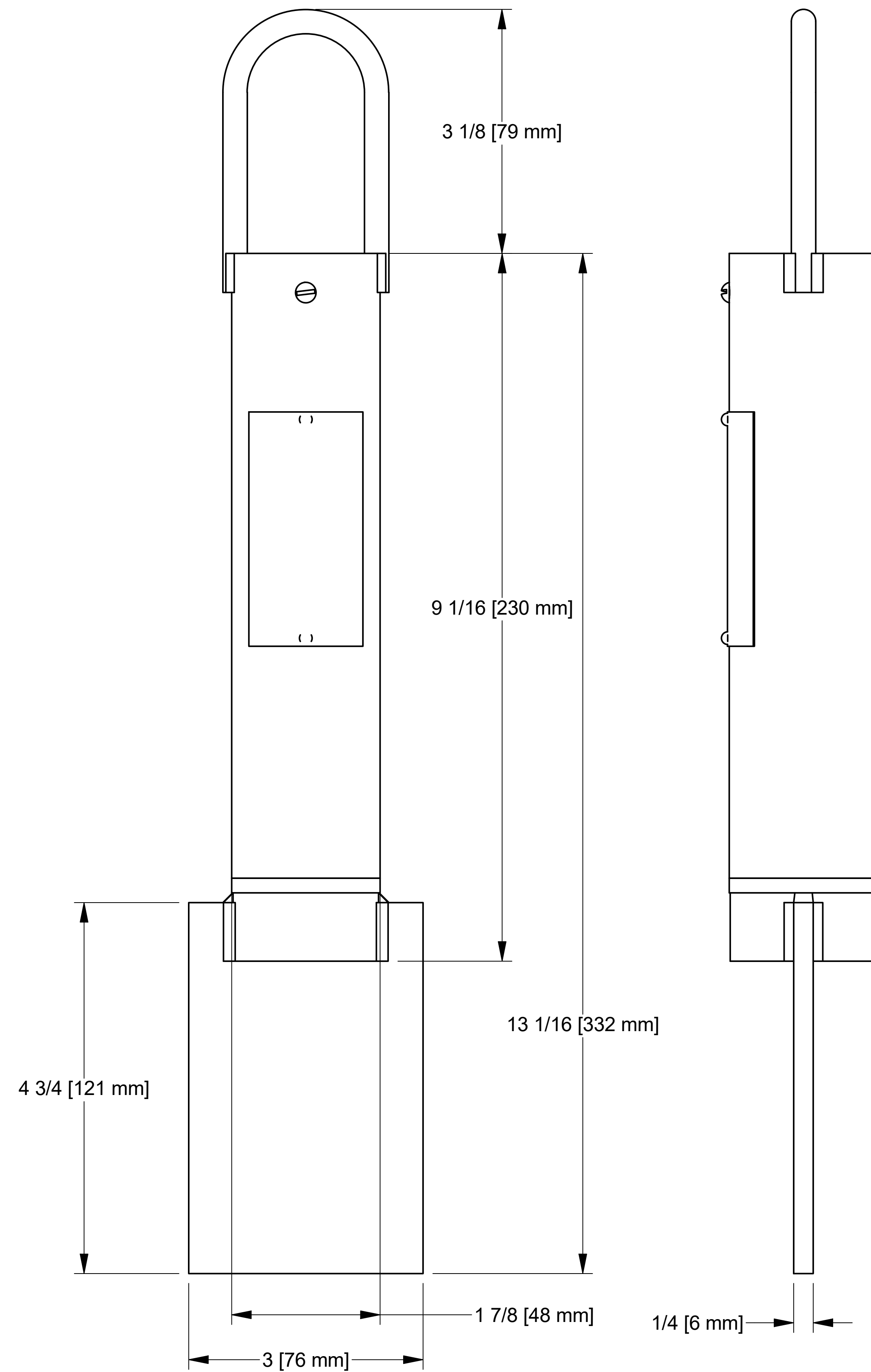
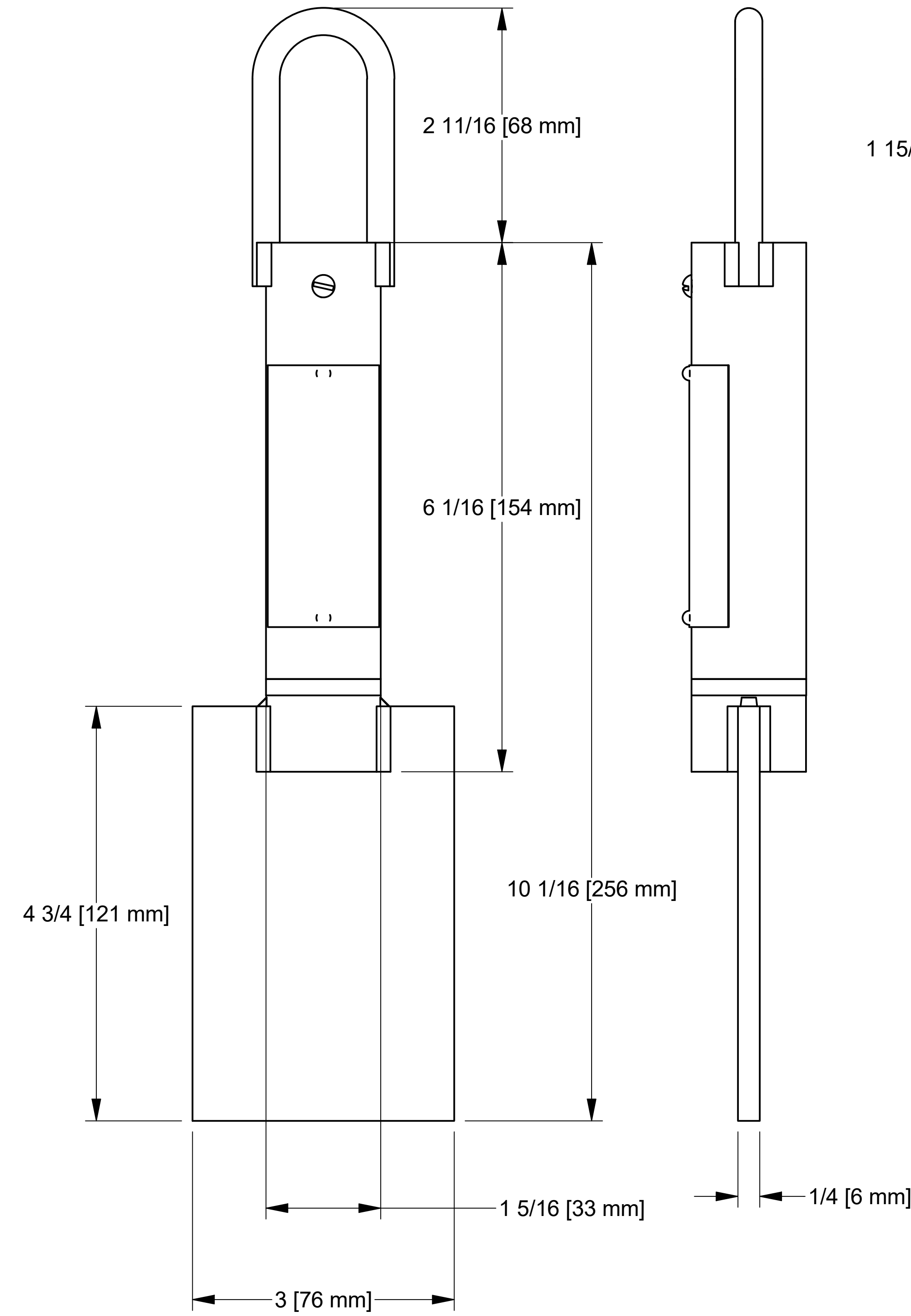


REV	ECO	DESCRIPTION	DATE	BY	APPD
A	0235c	INCLUDE 'N MODELS	9/17/2021	LW	GL

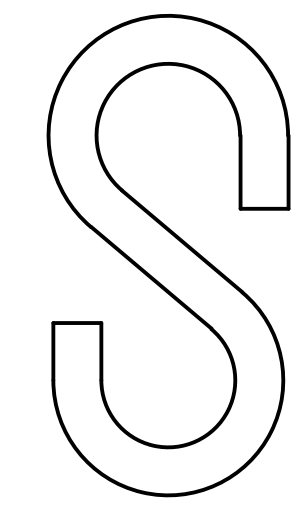
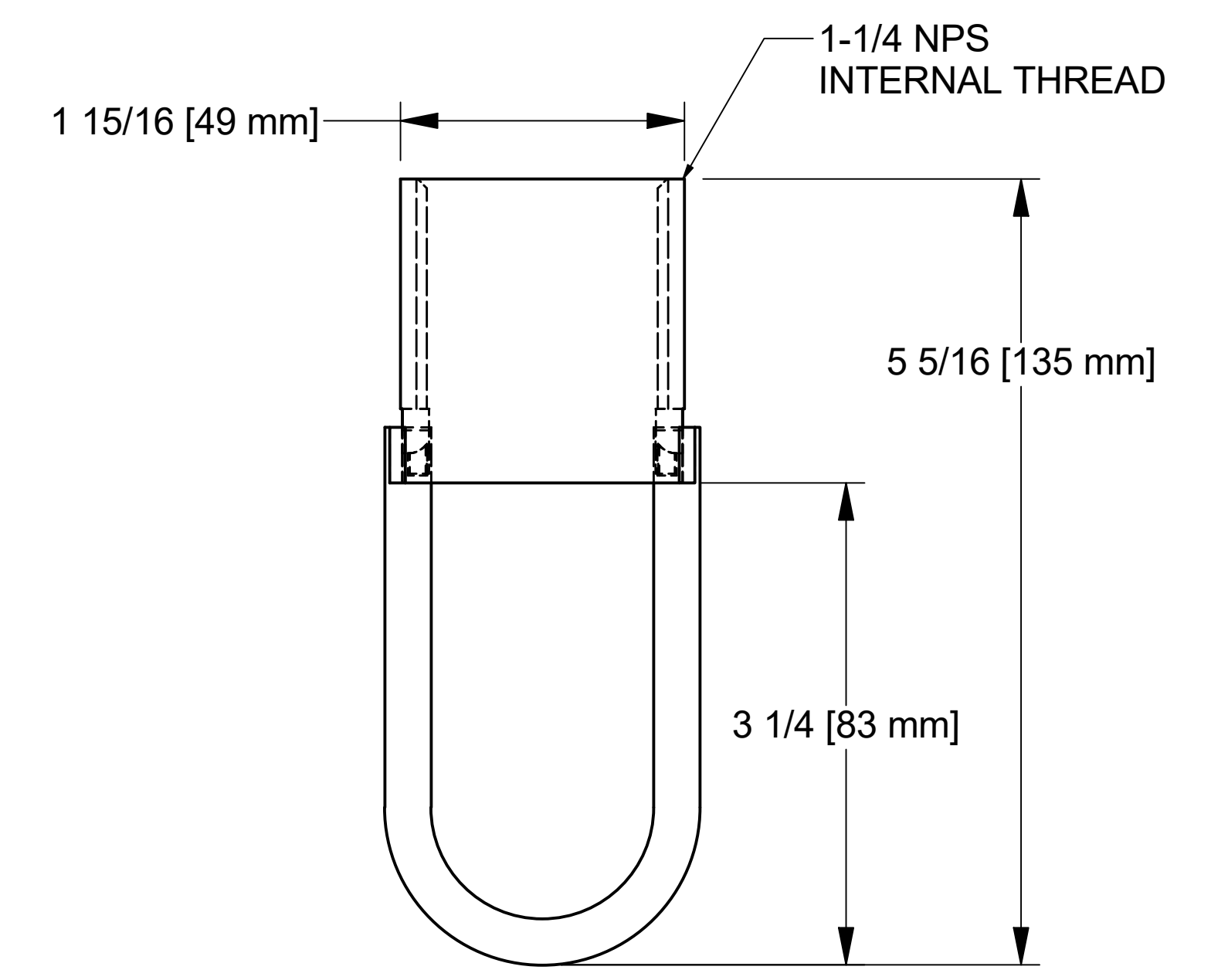
A CT-201GP / CT-201GNP
STANDARD SIZE
PROBE WITH PADDLE



A CT-200GP / CT-200GNP
COMPACT PROBE
WITH PADDLE



CT-400
MOUNTING
BRACKET



CT-500
S-HOOK

DIMENSIONS ARE FOR REFERENCE ONLY, AND ARE SUBJECT TO CHANGE WITHOUT NOTICE.

DRAWN	GL	7/18/2013	Conveyor Components Company Division of Material Control, Inc. 130 Seltzer Road, Crosswell, Michigan 48422 U.S.A.
CHECKED	GL	9/20/2021	
APPROVED	JK	7/30/2013	
PART	TITLE		
CT-GP PROBE PRODUCT DRAWING			
Drawing is computer generated, and print might not be to scale			
THIS PRINT IS PROPERTY OF CONVEYOR COMPONENTS CO., AND MAY NOT BE USED IN WHOLE OR PART WITHOUT WRITTEN PERMISSION.	SIZE	D	DWG NO
			D0020080.dwg
	SCALE		REV
			A
			SHEET 1 OF 1