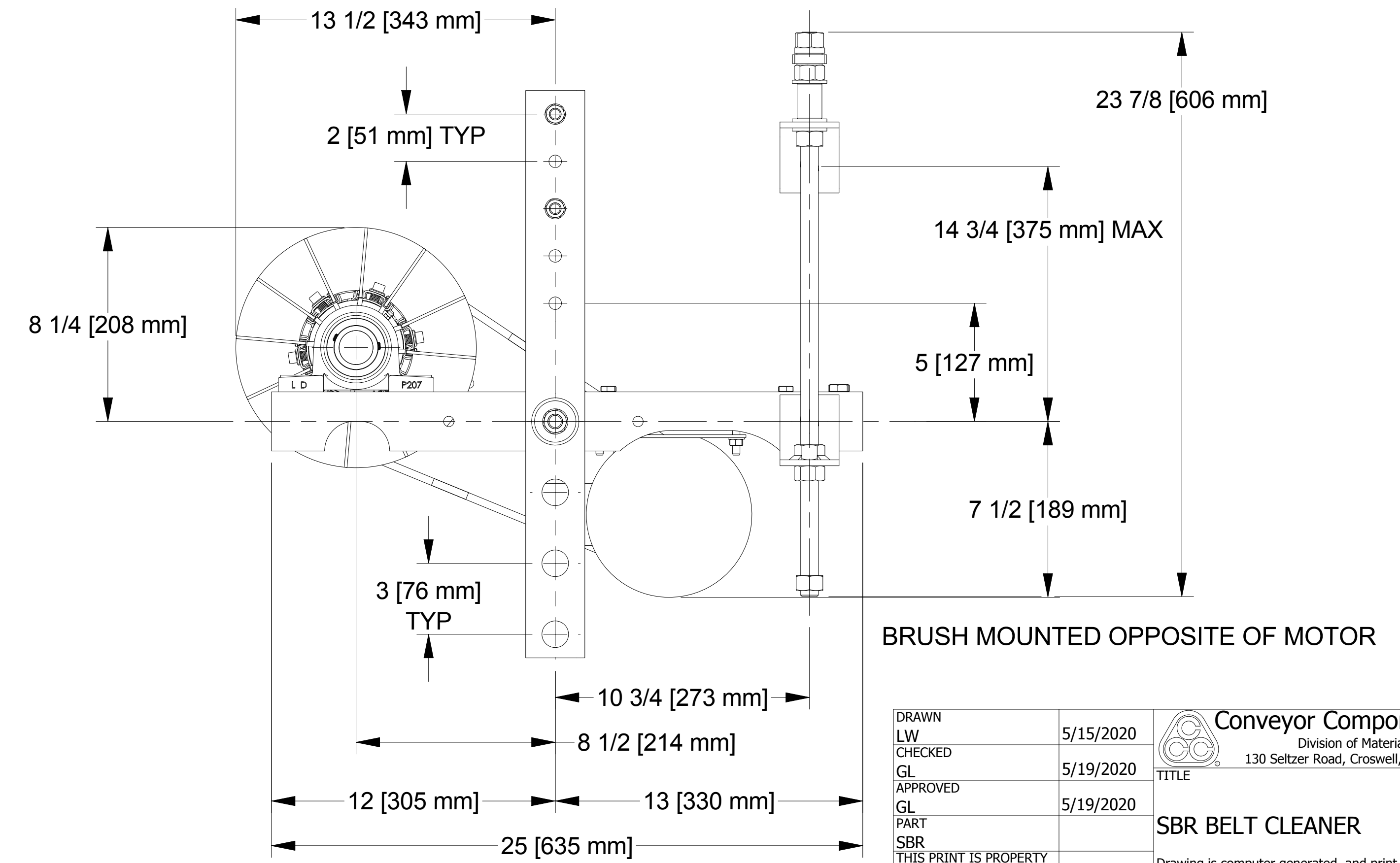
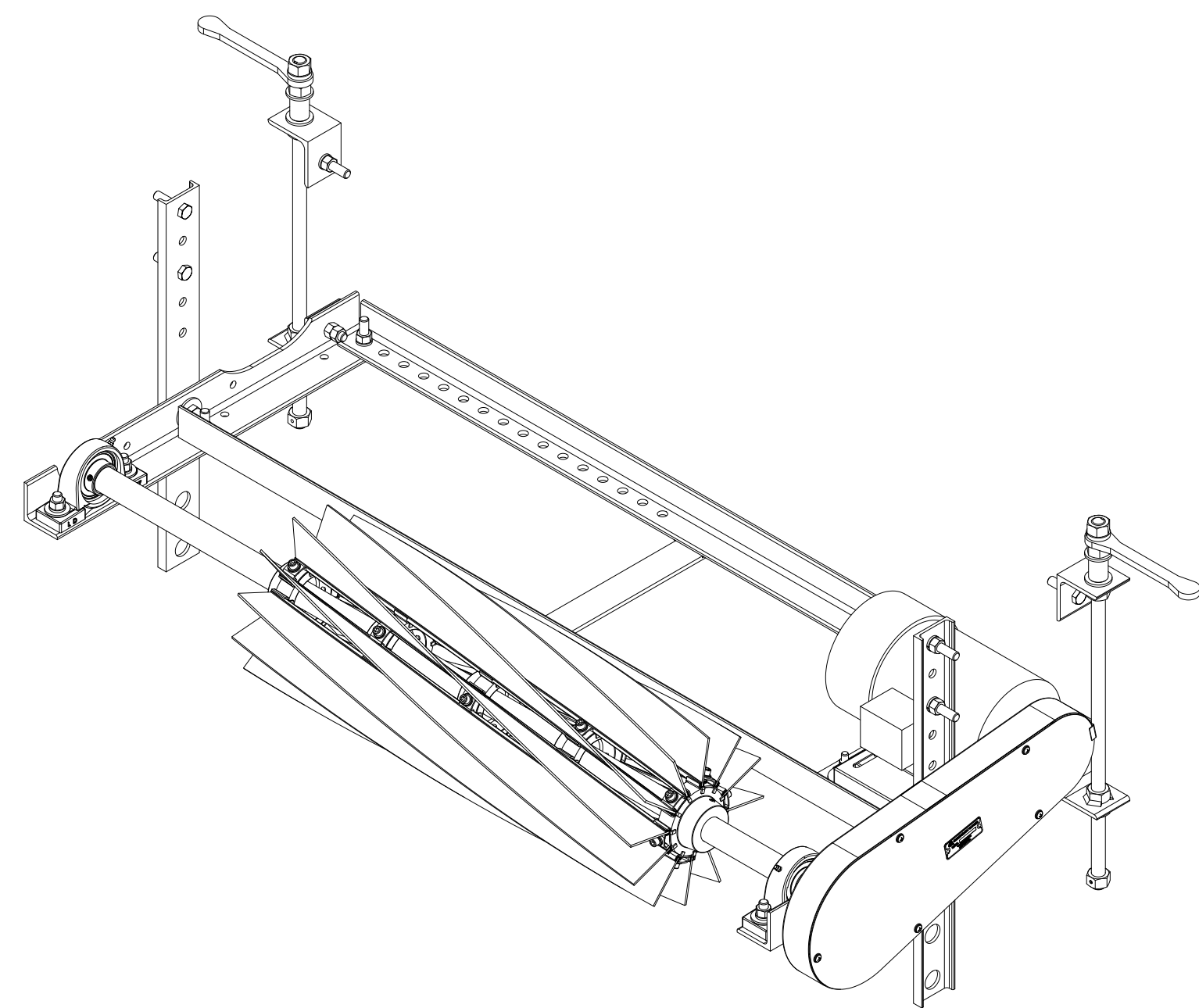
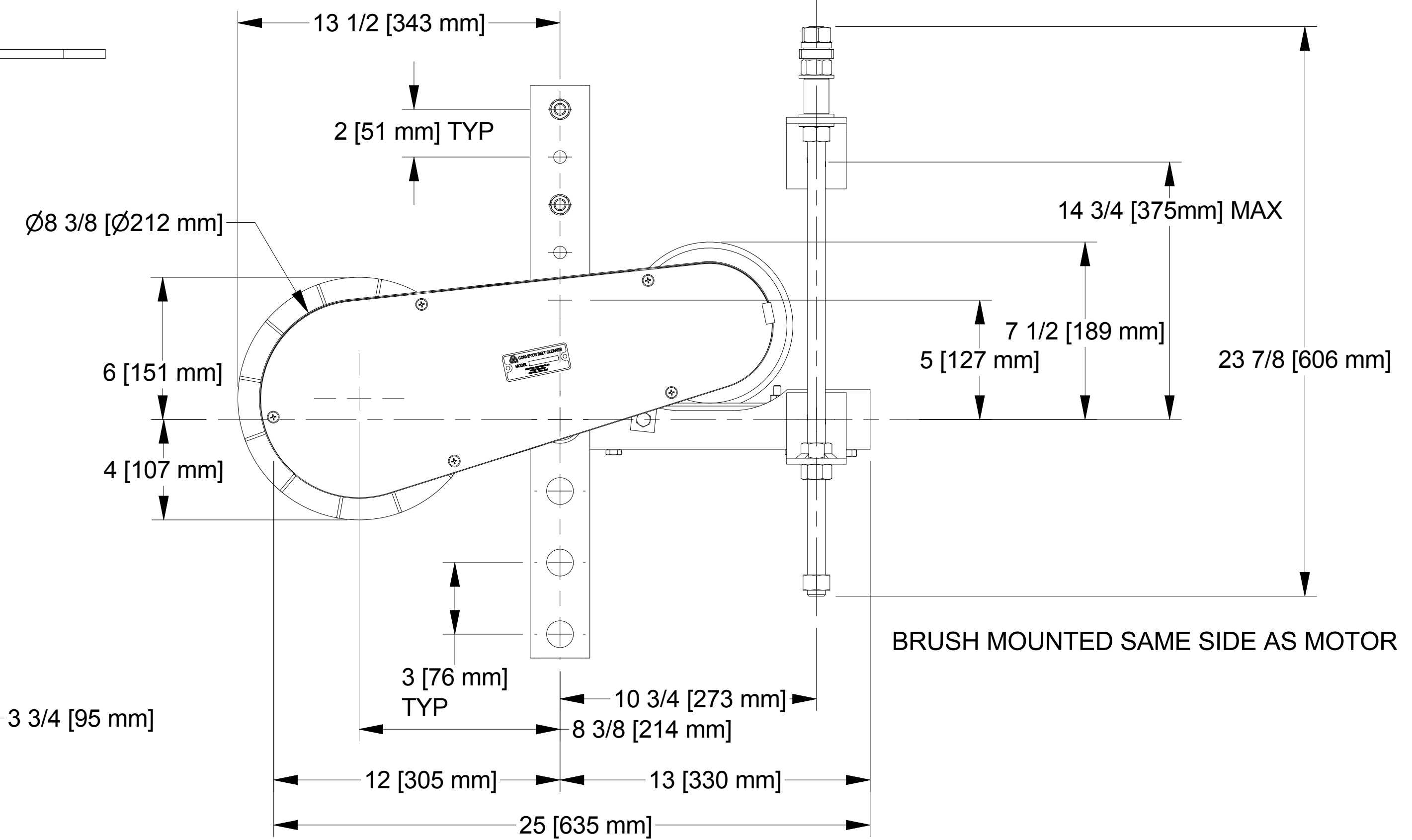
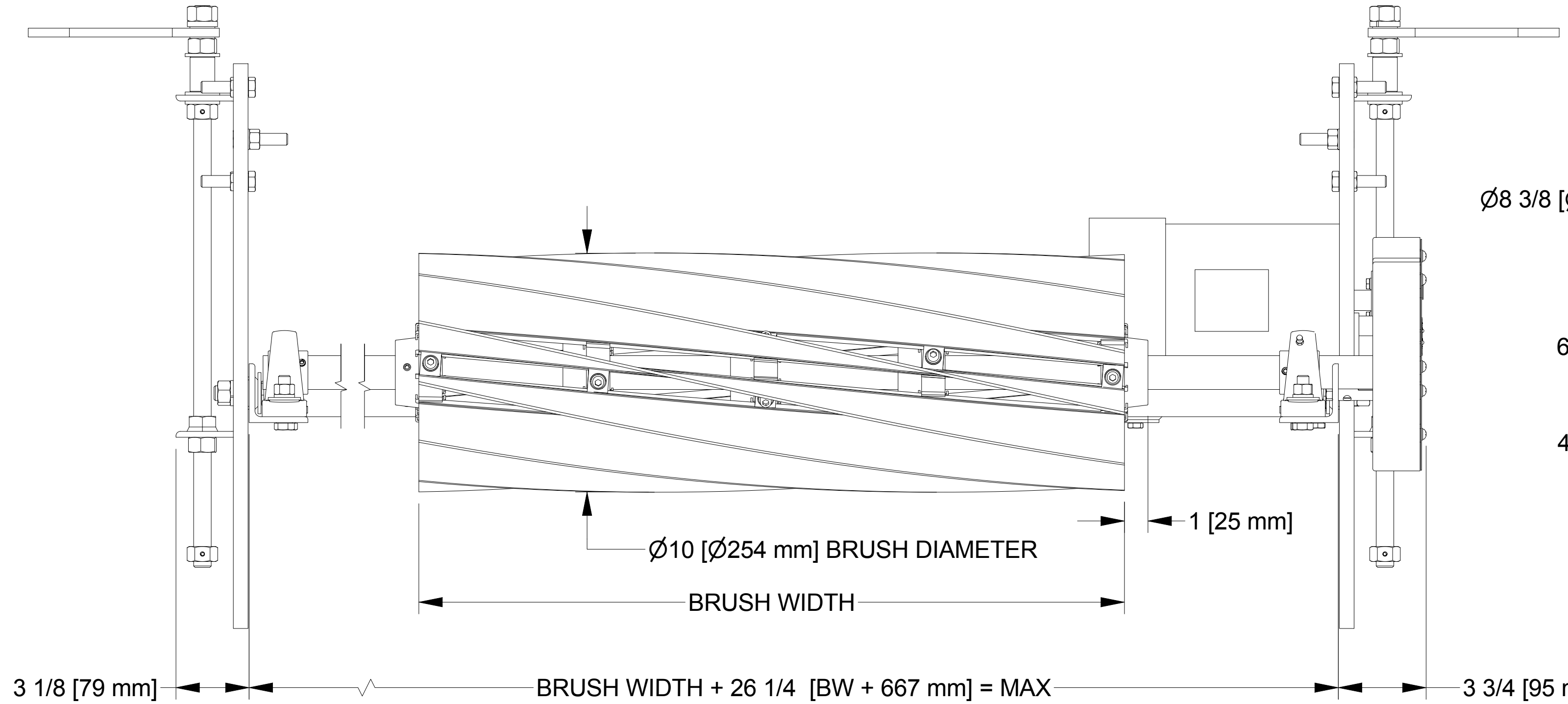
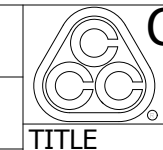


REV	ECO	DESCRIPTION	DATE	BY	APPD
A	0379c	NEW DRAWING	5/14/2020	LW	GL



DRAWN	LW	5/15/2020	 Conveyor Components Company Division of Material Control, Inc. 130 Seltzer Road, Crosswell, Michigan 48422 U.S.A.
CHECKED	GL	5/19/2020	
APPROVED	GL	5/19/2020	
PART	SBR		SBR BELT CLEANER
THIS PRINT IS PROPERTY OF CONVEYOR COMPONENTS CO., AND MAY NOT BE USED IN WHOLE OR PART WITHOUT WRITTEN PERMISSION.			Drawing is computer generated, and print might not be to scale. SIZE: D DWG NO: D0040087.dwg SCALE:
			TITLE: SBR BELT CLEANER REV: A SHEET 1 OF 1