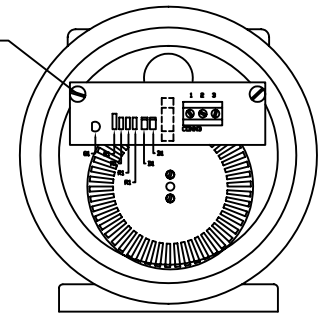
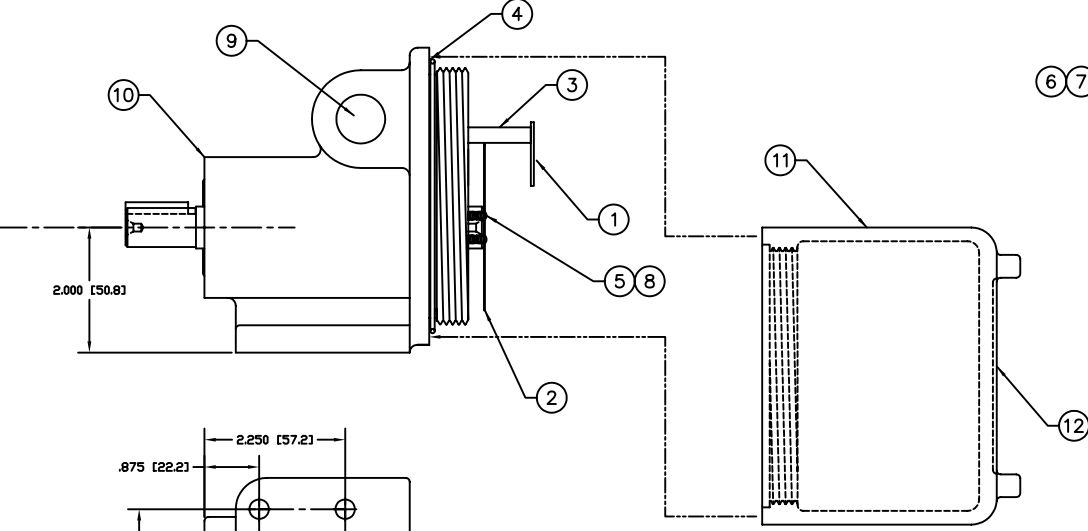
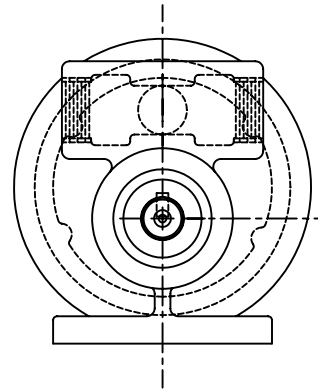
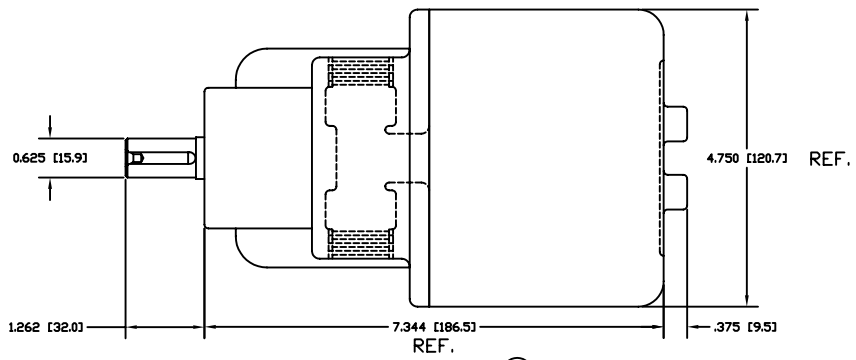
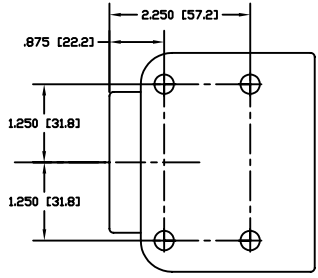


REVISIONS				
REV.	E.C.O.	DESCRIPTION	DATE	BY / APP'D
-	3052	NEW DRAWING / CHANGE #8 SCREW LENGTH	11/11	---



END VIEW SHOWN WITH COVER REMOVED



BASE PLATE DETAIL

ALL DIMS IN □ ARE IN MM.

12	20980022	A0980025	NAMEPLATE MSD-1 GEN. PURPOSE	1
11	20200124	D0200085	MACHINED (ALUM) COVER FOR CMS	1
10	20200148		REGULAR BASE ASSEMBLY	1
9	22018508		#12 LPE RED CAP PLUG	2
8	20053407		#4 INT. TOOTH LOCKWASHER Z/P	2
7	20203408		#8 INT TOOTH LOCK WASHER Z/P	6
6	22011004		8-32 X 3/8" ROUND HEAD SCREW	2
5	20051082		4-40 X 5/16 RHMS Z/P	2
4	22011015		O-RING	1
3	22011003		#8 STANDOFFS X 1" LONG	2
2	20050179	A0050031	50 Segment Disk	1
1	20050173		Electronics Assy MSD Sensor	1
DET	PART	DWG	DESCRIPTION	QTY

CONVEYOR COMPONENTS COMPANY
 130 SELTZER RD., CROSWELL, MICH. 48422

THIS PRINT HAS NO SCALE & SHOULD NOT BE SCALED

DRAWN GL	03/18/08	THIS DRAWING WAS COMPUTER GENERATED IN FULL SCALE.
CHECK ---	---/---/---	
APPR. JK	03/19/08	

MSD-1 ASSEMBLY

THIS PRINT IS THE PROPERTY OF CONVEYOR COMPONENTS COMPANY AND MUST NOT BE USED IN WHOLE OR PART WITHOUT WRITTEN PERMISSION. PLEASE RETURN ON DEMAND.

PART NO.	DWG NO.	REV
MSD-1	D0050052	-