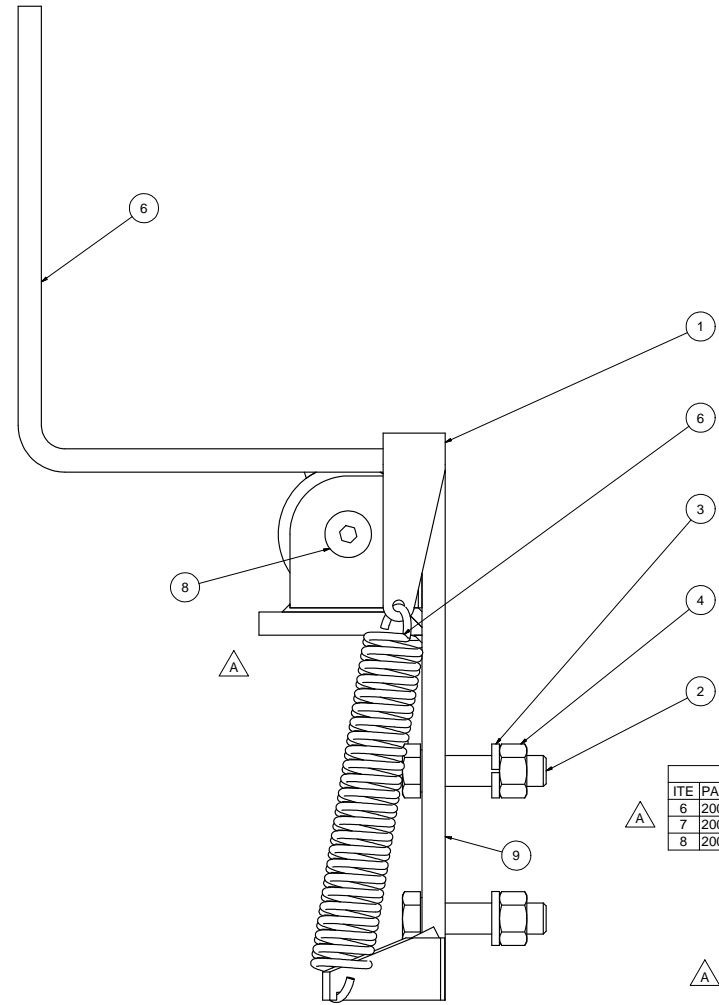
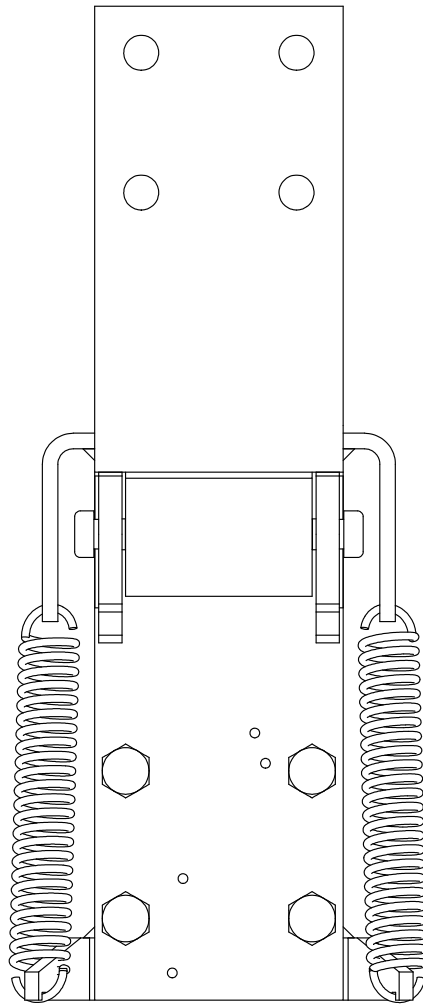


REV	ECO	DESCRIPTION	DATE	BY	APPD
A	13845	CHANGE TO BA-5X TYPE STANDARD	12/19/2012	IGL	JK




PARTS LIST: 20060062, Breakaway bracket assembly (Explosion proof)

ITE	PART#	DWG	DESCRIPTION	QTY
6	20060053	B0060003	BREAKAWAY MOVING BRACKET WELDMENT	1
7	20060064		BREAKAWAY MOUNTING BRACKET WELDMENT EX-PROOF	1
8	20068400		1/2 X 1/2 Socket Head Should Bolt Zinc	2

PARTS LIST: BA-5

ITE	PART#	DWG	DESCRIPTION	QTY
1	20060062	D0060028	Breakaway bracket assembly (explosion proof).	1
2	22011302		1/2-13 X 2 HEX HEAD CAP SCREW Z/P	4
3	22013502		1/2" LOCKWASHER Z/P	4
4	22014401		1/2-13 HEX NUT Z/P	4
6	20066546	D0060053	Spring z/p: BA breakaway	2

DRAWN RM	12/19/2012	 Conveyor Components Company Division of Material Control, Inc. 130 Seltzer Road, Croswell, Michigan 48422 U.S.A.
CHECKED JK	1/10/2013	
APPROVED JK	1/10/2013	TITLE OPTIONAL BREAKAWAY MOUNTING (EXPLOSION PROOF USEABLE)
PART BA-5		Drawing is computer generated, and print might not be to scale
THIS PRINT IS PROPERTY OF CONVEYOR COMPONENTS CO., AND MAY NOT BE USED IN WHOLE OR PART WITHOUT WRITTEN PERMISSION.		SIZE D
		DWG NO D0060028.dwg
		REV A
		SCALE
		SHEET 1 of 1