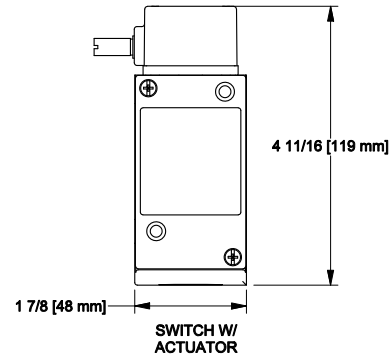
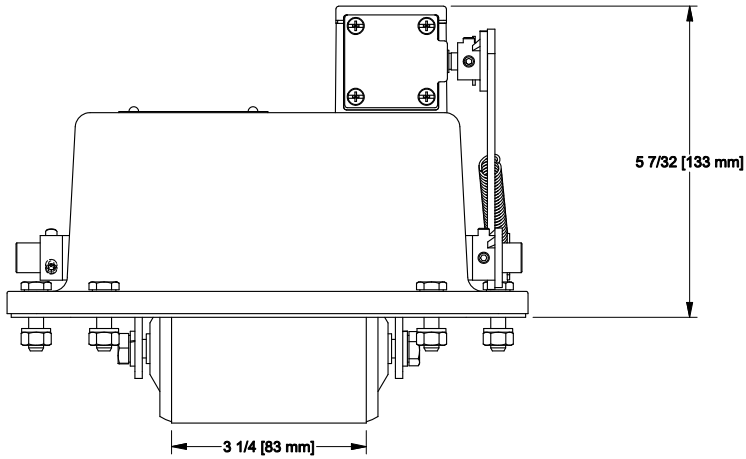
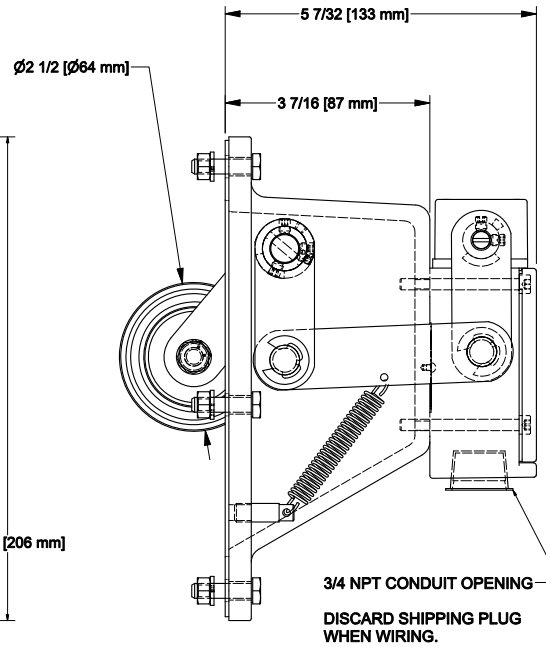
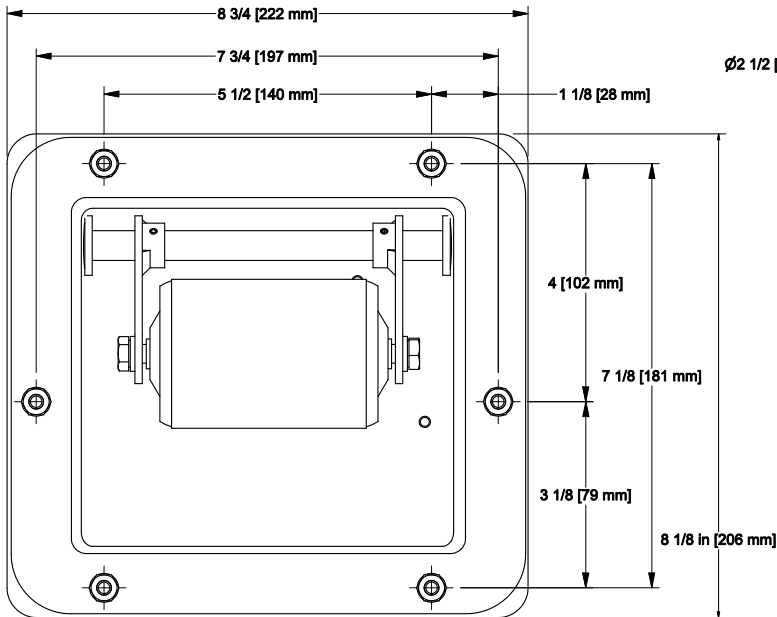



REV	ECO	DESCRIPTION	DATE	BY	APPD
A	0229c	NEW DRAWING	5/21/2020	LW	GL



3/32 HEX WRENCH INCLUDED



DIMS SHOWN FOR REFERENCE ONLY.

DRAWN	5/21/2020	 Conveyor Components Company Division of Material Control, Inc. 130 Seltzer Road, Crosswile, Michigan 48422 U.S.A.	
CHECKED	5/22/2020		
APPROVED	5/22/2020		
GL		TITLE	
GL		MODEL VA: BUCKET ELEVATOR ALIGNMENT CONTROL	
PART		Drawing is computer generated, and print might not be to scale	
THIS PRINT IS PROPERTY OF CONVEYOR COMPONENTS CO., AND MAY NOT BE USED IN WHOLE OR PART WITHOUT WRITTEN PERMISSION.		SIZE	REV
		D	A
		DWG NO	
		D0060075.dwg	
		SCALE	SHEET 1 of 1