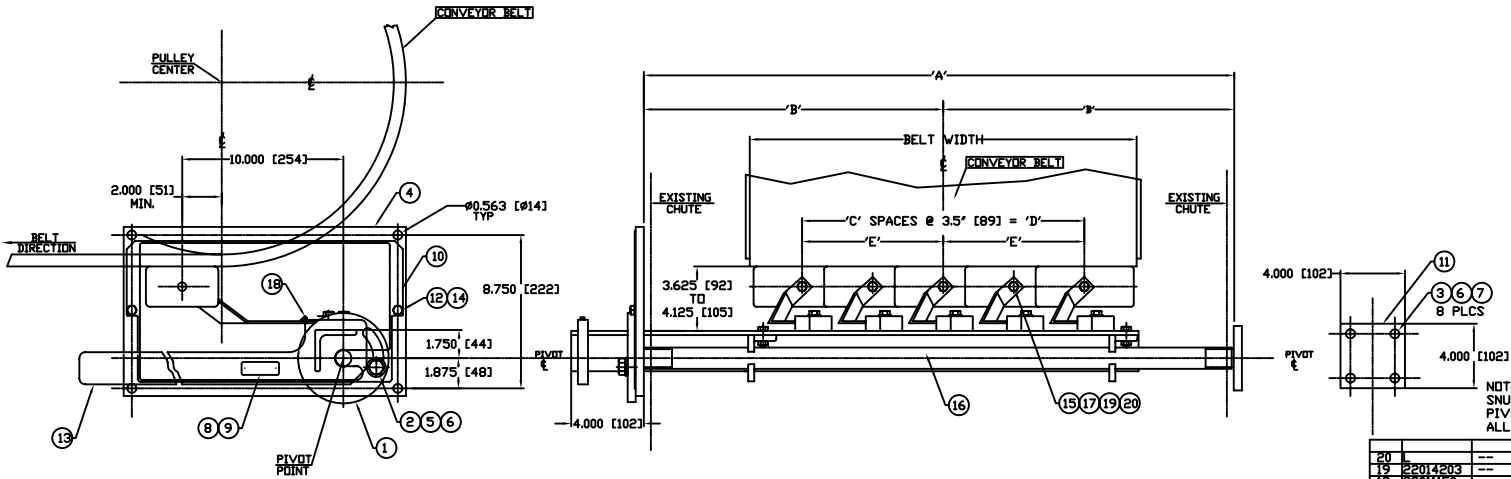
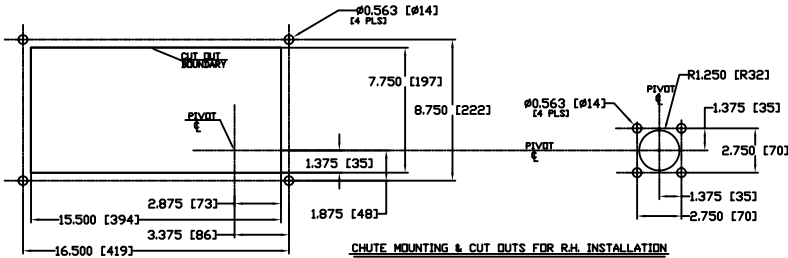


DWG. NO. D0120026		SHT. 1		REV. C	
REVISIONS					
REV.	E.C.D.	DESCRIPTION	DATE	BY	APP'D
C	2099	UPDATE HARDWARE	06/14/04	GL	JK



NOTE: BLADE LOCKNUTS TO BE TIGHTENED TO JUST SNUG FIT, 8-10 FT-LBS MAX., TO ALLOW BLADES TO PIVOT AND CONFORM TO BELT CONTOUR DURING USE. ALL DIMS IN [] ARE IN MILLIMETERS.

DESCRIPTION	BLADE OPTIONS			
	OPTION CODE	PART 'J'	DWG 'K'	FASTENER 'L'
STAINLESS STEEL	S	FA-16	A0120006	22011201 3/8-16 X 1 HHCS Z/P
RUBBER	R	FA-17	B0120006	22011203 3/8-16 X 1-3/4 HHCS Z/P
STANDARD SPRING STEEL	H	FA-18	A0120004	22011201 3/8-16 X 1 HHCS Z/P
CERAMIC WITH HOLDER	C	FA-20	A0160015	22011203 3/8-16 X 1-3/4 HHCS Z/P
NICKEL COATED STAINLESS	N	FA-21	A0120005	22011201 3/8-16 X 1 HHCS Z/P
URETHANE WITH HOLDER	U	FA-23	A0190014	22011203 3/8-16 X 1-3/4 HHCS Z/P
TUNGSTEN CARBIDE	T	FA-24	A0190036	22011201 3/8-16 X 1 HHCS Z/P

DIMENSION & QUANTITY TABLE													
BELT WIDTH	'A'		'B'		'C'			'D'			QUANTITY RH BLADE SUPPORT ASSY.		
	MIN	MAX	MIN	MAX	'F'	'G'	'H'	ANGLE	TUBE	'F'	'G'	'H'	
12 [305]	17 [432]	33 [838]	8.5 [216]	16.5 [419]	2 [51]	7 [178]	3.5 [89]		3	6	20120093	30 [762]	36 [914]
16 [406]	21 [533]	37 [940]	10.5 [267]	18.5 [470]	3 [76.2]	10.5 [267]	5.25 [133]		4	8	20120102	34 [864]	40 [1016]
18 [457]	23 [584]	39 [991]	11.5 [292]	19.5 [495]	3 [76.2]	10.5 [267]	5.25 [133]		4	8	20120103	36 [914]	42 [1067]
20 [508]	25 [635]	41 [1041]	12.5 [318]	20.5 [521]	4 [102]	14 [356]	7 [178]		5	10	20120104	38 [965]	44 [1118]
24 [610]	29 [737]	45 [1143]	14.5 [368]	22.5 [572]	5 [127]	17.5 [445]	8.75 [222]		6	12	20120105	42 [1067]	48 [1219]
30 [762]	35 [889]	51 [1295]	17.5 [445]	25.5 [648]	7 [178]	24.5 [622]	12.25 [311]		8	16	20120106	48 [1219]	54 [1372]
36 [914]	41 [1041]	57 [1448]	20.5 [521]	28.5 [724]	8 [203]	28 [711]	14 [356]		9	18	20120107	54 [1372]	60 [1524]
42 [1067]	47 [1194]	63 [1600]	23.5 [597]	31.5 [800]	10 [254]	35 [889]	17.5 [445]		11	22	20120108	60 [1524]	66 [1676]
48 [1219]	53 [1346]	69 [1753]	26.5 [673]	34.5 [876]	11 [279]	38.5 [978]	19.25 [489]		12	24	20120109	66 [1676]	72 [1829]
54 [1372]	59 [1499]	75 [1905]	29.5 [749]	37.5 [953]	13 [330]	45.5 [1156]	22.75 [578]		14	28	20120110	72 [1829]	78 [1981]
60 [1524]	65 [1651]	81 [2057]	32.5 [825]	40.5 [1029]	15 [381]	52.5 [1334]	26.25 [667]		16	32	20120111	78 [1981]	84 [2134]
72 [1829]	77 [1956]	93 [2362]	38.5 [978]	46.5 [1181]	18 [457]	63 [1600]	31.5 [800]		19	38	20120112	90 [2286]	96 [2436]

QTY	PART	DWG	DESCRIPTION	QTY
20			M	F
19	22014203		3/8-16 LOCKNUT N/T Z/P	F
18	22011150		5/16-18 X 5/8 SET SCREW Z/P	F
17			BLADE	F
16	H	D0120027	FA RH BLADE SUPPORT ASSY.	F
15	22013102		3/8 FLATWASHER Z/P	G
14	22013425		1/4 SPLIT LOCKWASHER Z/P	G
13	20120045	B0120025	ADJUSTMENT HANDLE FOR CHUTE MOUNT	G
12	20110109		1/4-20 X 1/2 HHCS Z/P	G
11	20120043	B0120027	END PLATE WELDMENT	I
10	20120002	B0120026	ACCESS DOOR WELDMENT	I
9	20370001	A0370007	NAMEPLATE	I
8	22015101		1/2 X 1/4 DRIVE RIVET SST	J
7	22014401		1/2-13 HEX NUT Z/P	B
6	22013502		1/2 LOCKWASHER Z/P	G
5	22013109		1/2 FLATWASHER Z/P	G
4	20120005	C0120005	RH ACCESS PLATE WELDMENT	I
3	22011302		1/2-13 X 2 HHCS Z/P	B
2	20014301		1/2-13 X 1 1/2 HHCS Z/P	I
1	20120044	B0120024	ROTARY PLATE	I
		DWG	DESCRIPTION	QTY

THIS DRAWING IS COMPUTER GENERATED.
 CONVEYOR COMPONENTS CO.
 130 SELTZER RD, CROSWELL, MI 48422

FA SPRING TYPE CHUTE MOUNT

THIS PRINT IS THE PROPERTY OF CONVEYOR COMPONENTS CO. AND MUST NOT BE USED IN WHOLE, OR PART WITHOUT WRITTEN PERMISSION.

PLEASE RETURN ON DEMAND. SCALE N.A.

REV. C

DWG. NO. D0120026

SHT. 1-1

DWG. NO. D0120026 SHT. 1 REV. C