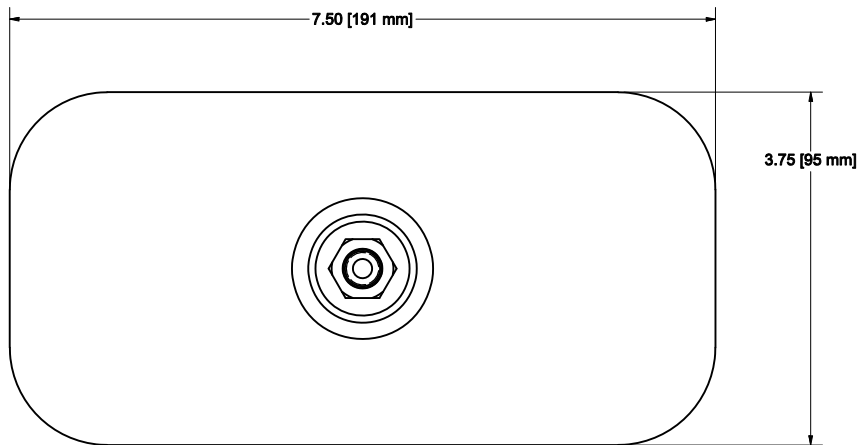
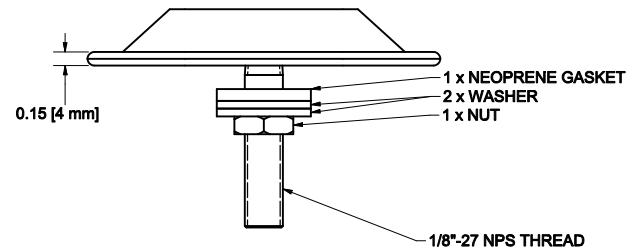
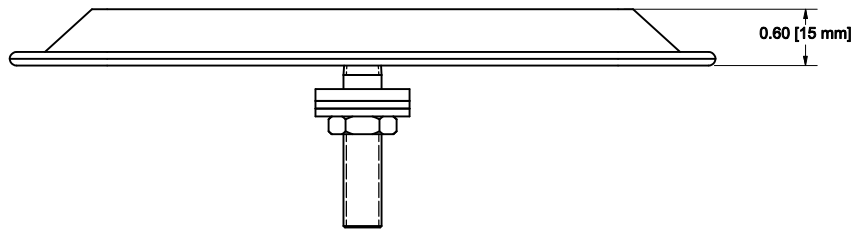
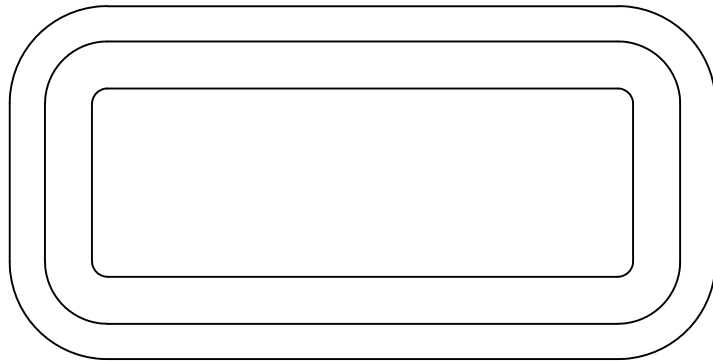



REV	ECO	DESCRIPTION	DATE	BY	APPD
A	0406c	NEW DRAWING	03/16/2021	LW	GL



MODEL AD-C: COTTON CLOTH DIFFUSER
 MODEL AD-F: FIBERGLASS CLOTH DIFFUSER
 MODEL AD-SSC: COTTON CLOTH DIFFUSER AND STAINLESS STEEL CONSTRUCTION
 MODEL AD-SSF: FIBERGLASS CLOTH DIFFUSER AND STAINLESS STEEL CONSTRUCTION

HARDWARE PACKAGED UN-ASSEMBLED.

DRAWN LW CHECKED GL APPROVED GL PART AD THIS PRINT IS PROPERTY OF CONVEYOR COMPONENTS CO., AND MAY NOT BE USED IN WHOLE OR PART WITHOUT WRITTEN PERMISSION.	8/22/1983 4/29/2021 4/29/2021	 Conveyor Components Company 130 Seltzer Road Crosswell, Michigan, U.S.A., 48422	TITLE AD SERIES AERATOR Drawing is computer generated, and print might not be to scale	SIZE C	DWG NO D0160006.dwg	REV A
		SCALE		SHEET 1 OF 1		