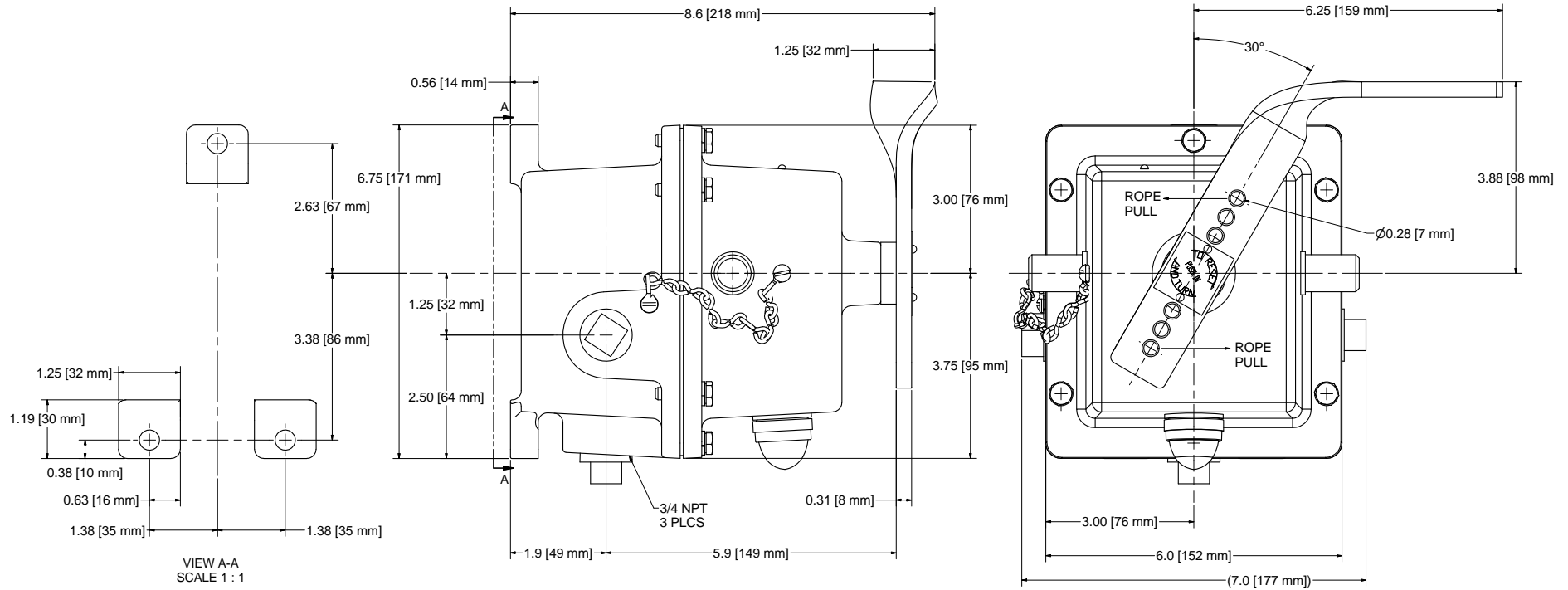


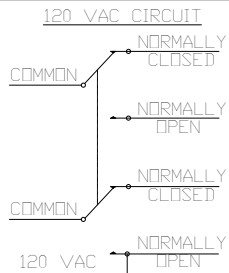
REV	ECO	DESCRIPTION	DATE	BY	APPD
F	8734	UPDATE LIGHT SPECS	1/27/2012	GL	JK



VIEW A-A
SCALE 1 : 1

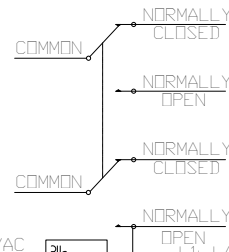
ELECTRICAL DATA

MICRO SWITCH RATING
 20 AMPS, 125, 250, OR 480 VAC
 1 HP, 125 VAC; 2 HP, 250 VAC
 1/2 AMP, 125 VDC; 1/4 AMP, 250 VDC



L1: LAMP OR RED LED RATED 6W, 120VAC
 UNLESS NOTED OTHERWISE

240 VAC CIRCUIT



240 VAC
 240 TO 120 VAC TRANSFORMER
 L1: LAMP OR RED LED RATED 6W 120 VAC
 UNLESS NOTED

ALL DIMS FOR REFERENCE ONLY.

DRAWN GEO	7/1/1976	 Conveyor Components Company 120 Selzer Road Crowell, Michigan, U.S.A. 48422
CHECKED JK	8/8/2012	
APPROVED JK	2/18/1999	TITLE RS-2L GENERAL ARRANGEMENT
PART RS-2L		SIZE D
THIS PRINT IS PROPERTY OF CONVEYOR COMPONENTS CO., AND MAY NOT BE USED IN WHOLE OR PART WITHOUT WRITTEN PERMISSION.		DWG NO D0170019.dwg
SCALE		REV F
		SHEET 1 OF 1