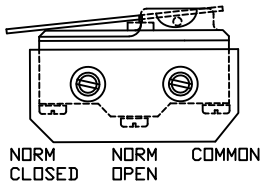


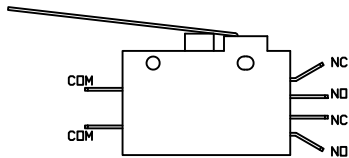
ELECTRICAL DATA RSB-2:
 2 SP/DT MICRO-SWITCHES.
 (RSB-1 HAS ONE SP/DT MICRO-SWITCH).

SP/DT MICRO-SWITCH RATING:
 20 AMPS 125, 250 OR 480 VAC
 1 HP 125 VAC; 2 HP 250 VAC

SP/DT TERMINALS:

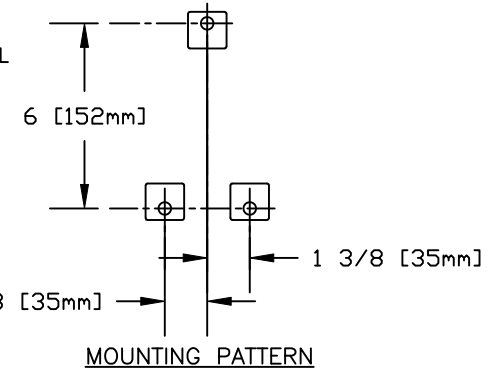
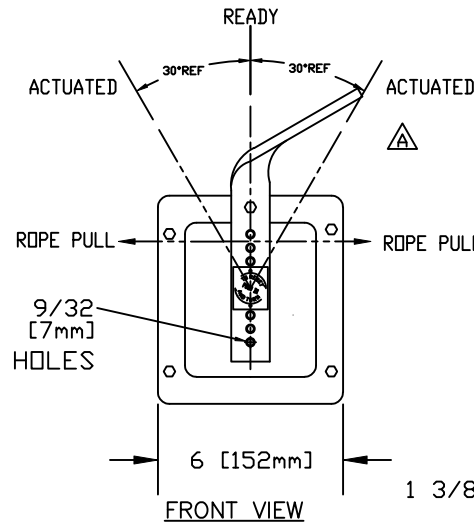
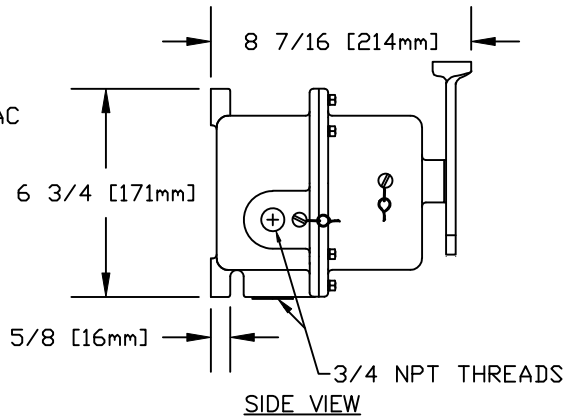
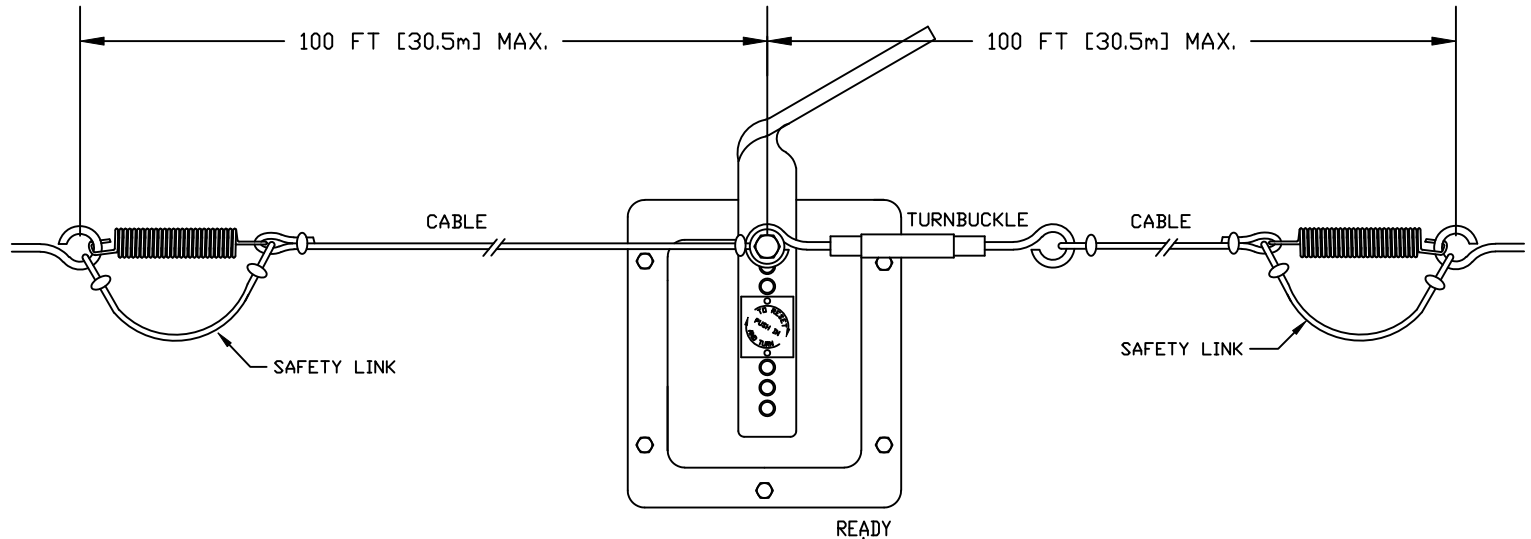
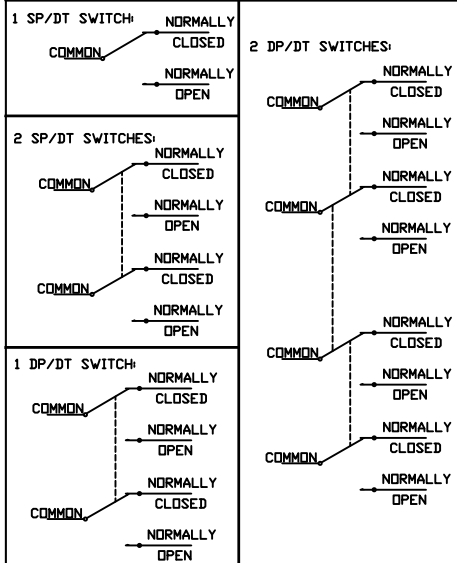


DP/DT TERMINALS:



ELECTRICAL DATA RSB-5:
 2 DP/DT SWITCHES.
 (RSB-4 HAS ONE DP/DT SWITCH).

DP/DT SWITCH DATA:
 15 AMPS 125 OR 250 VAC
 3/4 HP 125 VAC; 1 1/5 HP 250 VAC



REFER TO DATA SHEET AND INSTRUCTIONS.

OPTION 'X': EXPLOSION PROOF
 CLASS I, GROUPS C & D;
 CLASS II, GROUPS E, F & G HAZARDOUS LOCATIONS.

OPTION 'D': DUAL-RATED, DUST-IGNITION PROOF
 CLASS II, GROUPS E, F & G
 TYPE 3, 4 & 4X

REVISIONS					
REV.	E.C.O.	DESCRIPTION	DATE	BY	APP'D
A	0240c	CLARIFY POSITIONS RANGE	06/17/20	LW	GL

CONVEYOR COMPONENTS COMPANY Division of Material Control, Inc. 130 SELTZER RD., CROSWELL, MICH. 48422					
<i>THIS PRINT HAS NO SCALE & SHOULD NOT BE SCALED</i>					
DRAWN: GL CHECK: --- APPR: JK	3/10/2014 --/--/-- 03/11/2014	THIS DRAWING WAS COMPUTER GENERATED IN FULL SCALE			
		RSB-X/RSB-D PRODUCT DRAWING			
<small>THIS PRINT IS THE PROPERTY OF CONVEYOR COMPONENTS COMPANY AND MUST NOT BE USED BY WHOLE OR PART WITHOUT WRITTEN PERMISSION. PLEASE RETURN ON DEMAND.</small>					
		PART NO.	DWG NO.	REV.	
		RSB-X/RSB-D	DO170142	A	