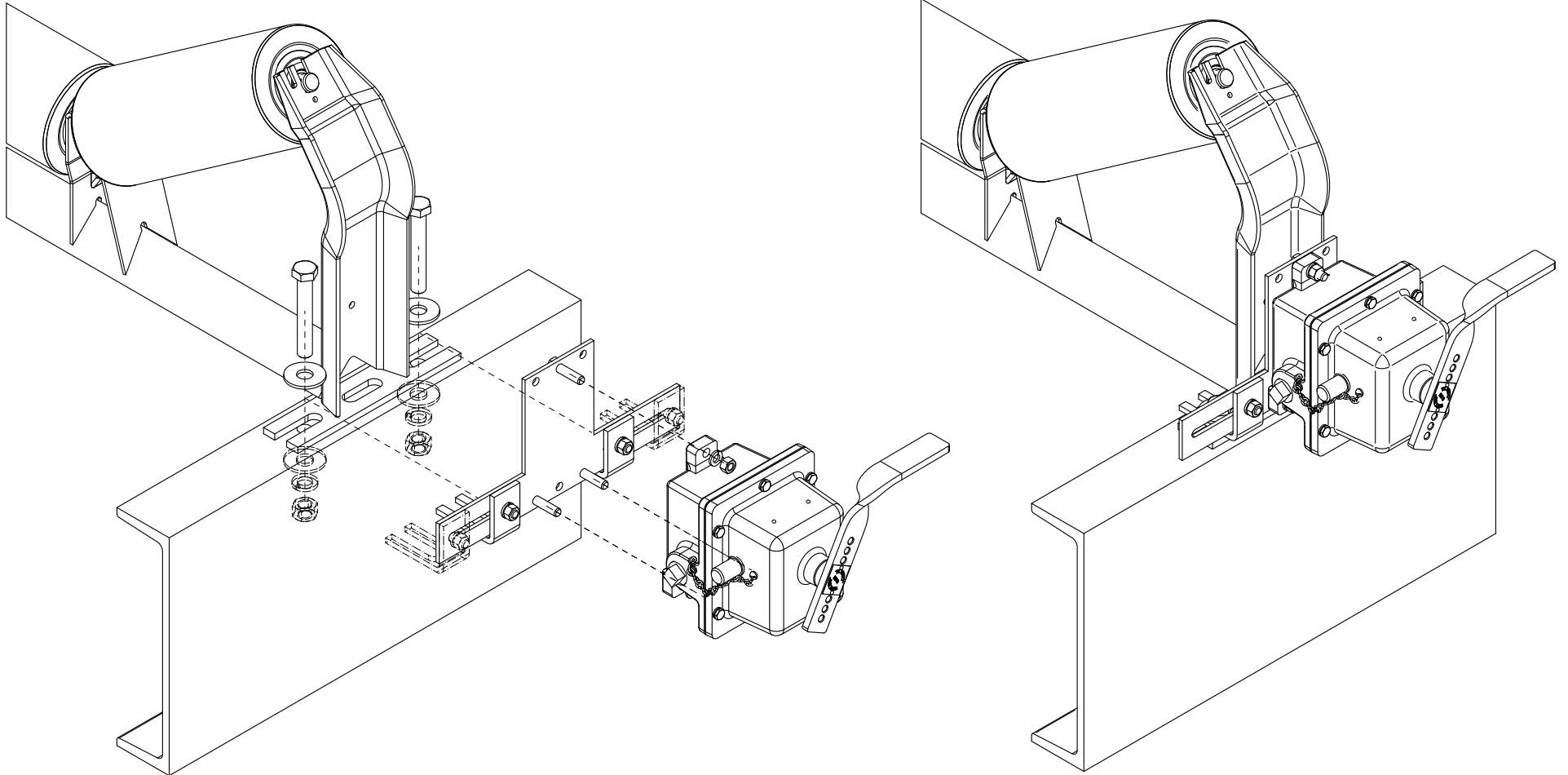



REV	ECO	DESCRIPTION	DATE	BY	APPD
A	0387c	NEW DRAWING	11/8/2020	LW	GL



DRAWN	LW	10/21/2020	 Conveyor Components Company Division of Material Control, Inc. 130 Seltzer Road, Croswell, Michigan 48822 U.S.A.
CHECKED	GL	11/20/2020	
APPROVED	GL	11/20/2020	
PART	RS-30		RS MOUNTING BRACKET
THIS PRINT IS PROPERTY OF CONVEYOR COMPONENTS CO., AND MAY NOT BE USED IN WHOLE OR PART WITHOUT WRITTEN PERMISSION.			Drawing is computer generated, and print might not be to scale. SIZE: D DWG NO: D0170158.dwg SCALE: 1:1 SHEET 1 of 1