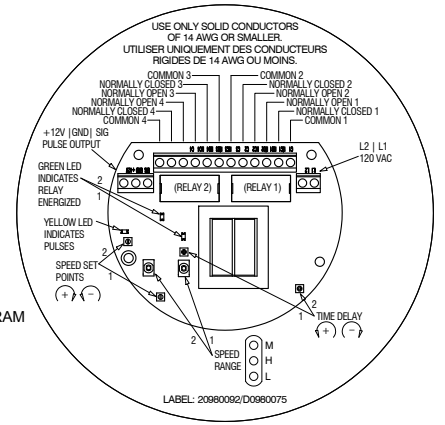
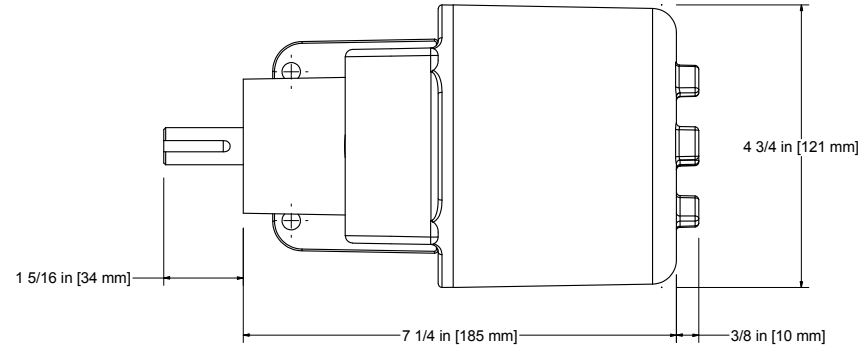
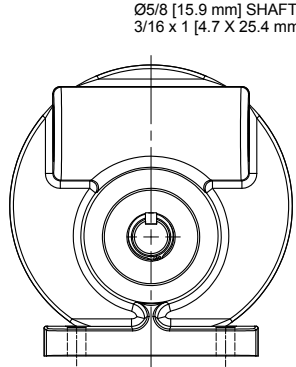


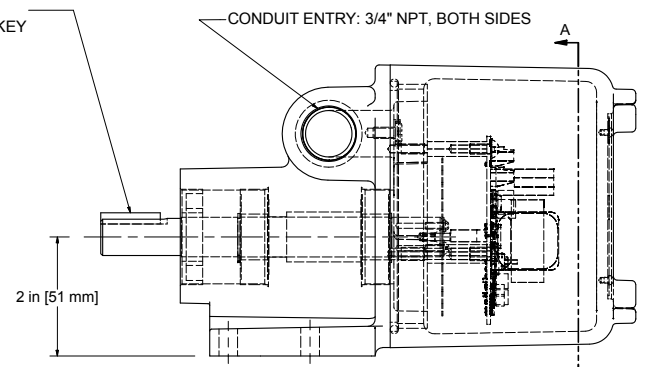
REV	ECO	DESCRIPTION	DATE	BY	APPD
		INITIAL RELEASE	8/28/2015	GL	



WIRING DIAGRAM
SCALE 2 : 1

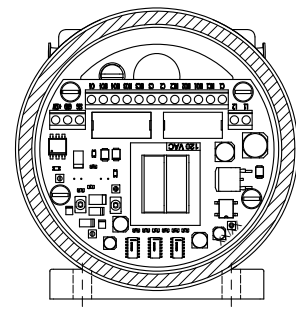


Ø5/8 [15.9 mm] SHAFT
3/16 x 1 [4.7 X 25.4 mm] SHAFT KEY

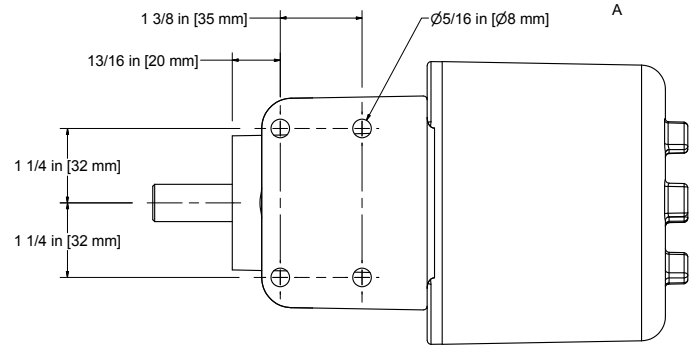


CONDUIT ENTRY: 3/4" NPT, BOTH SIDES

2 in [51 mm]



SECTION A-A
SCALE 1 : 1



RELAY CONTACTS:
2 DPDT RELAYS, 1 PER SET POINT
3A RESISTIVE @ 120V OR 240 V AC
3A @ 30 V DC; 1/10 HP @ 120V OR 240 V AC

PULSE OUTPUT:
3 WIRE, 12 V DC, 100 mA, TYPE NPN
12 PULSES PER REVOLUTION
MAX RPM = 1000
FOR SPEEDS BELOW 5 RPM, OPTIONAL
50 SEGMENT DISK REQUIRED FOR
50 PULSES PER REVOLUTION.

ENCLOSURE RATINGS:
CMS-1G-DSPO: TYPE 3, 4, 4X
CMS-1X-DSPO: CLASS I, DIV 1 & 2, GROUPS C & D;
CLASS II, DIV 1 & 2, GROUPS F & G
HAZARDOUS LOCATIONS

240V AC AND 24V DC UNITS (NON-UL)
ARE AVAILABLE.

ALL DIMS FOR REF ONLY
CMS-1G-DSPO SHOWN

DRAWN	GL	8/26/2015	Conveyor Components Company 130 Selzer Road Crossville, Michigan, U.S.A., 48422		
CHECKED			TITLE		
APPROVED			CMS-1G/X-DSPO PRODUCT DRAWING		
DWG NO			SIZE	DWG NO	REV
			D	D0200159.dwg	
THIS PRINT IS PROPERTY OF CONVEYOR COMPONENTS CO., AND MAY NOT BE USED IN WHOLE OR PART WITHOUT WRITTEN PERMISSION.			SCALE	SHEET 1 OF 1	