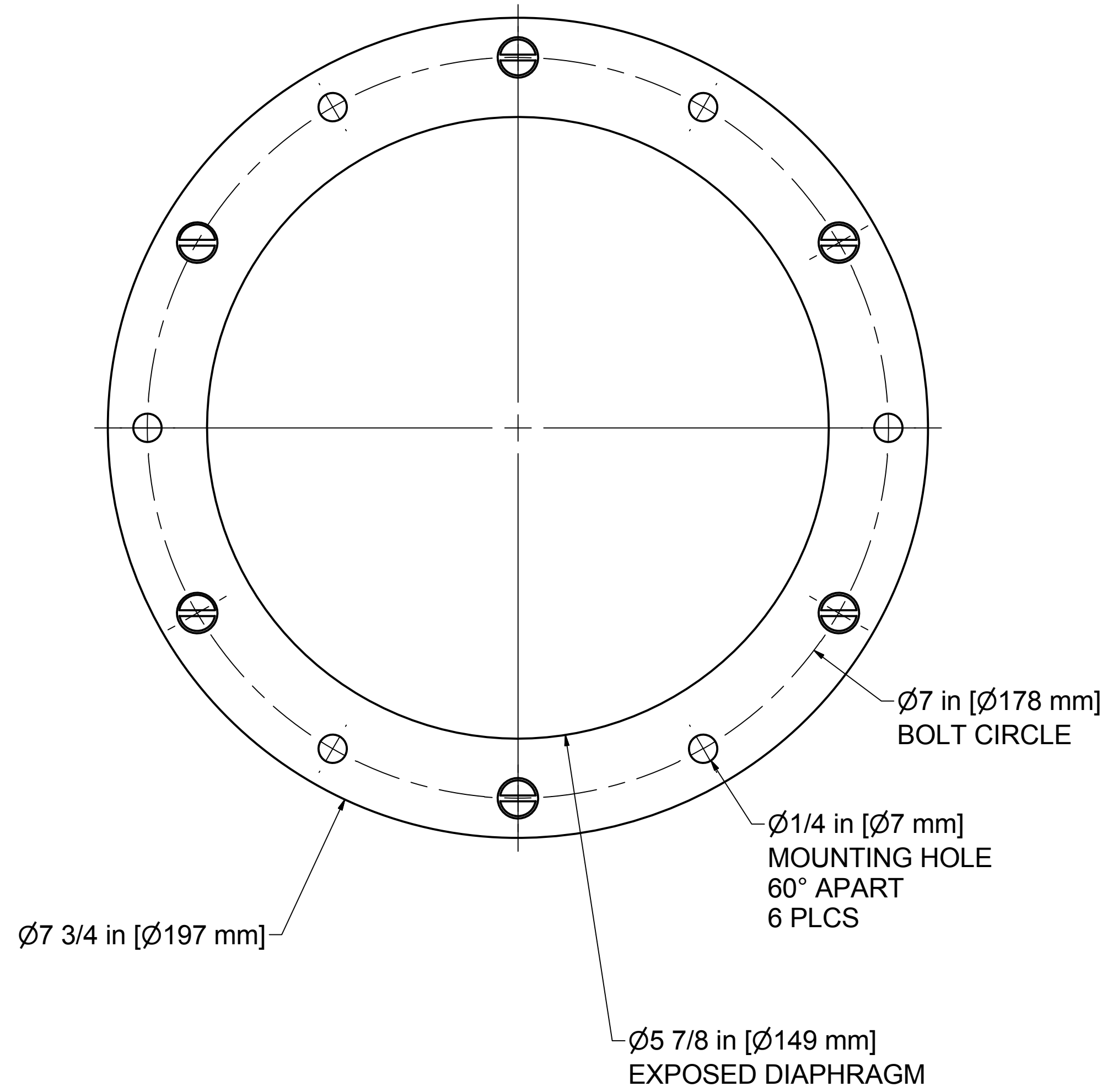
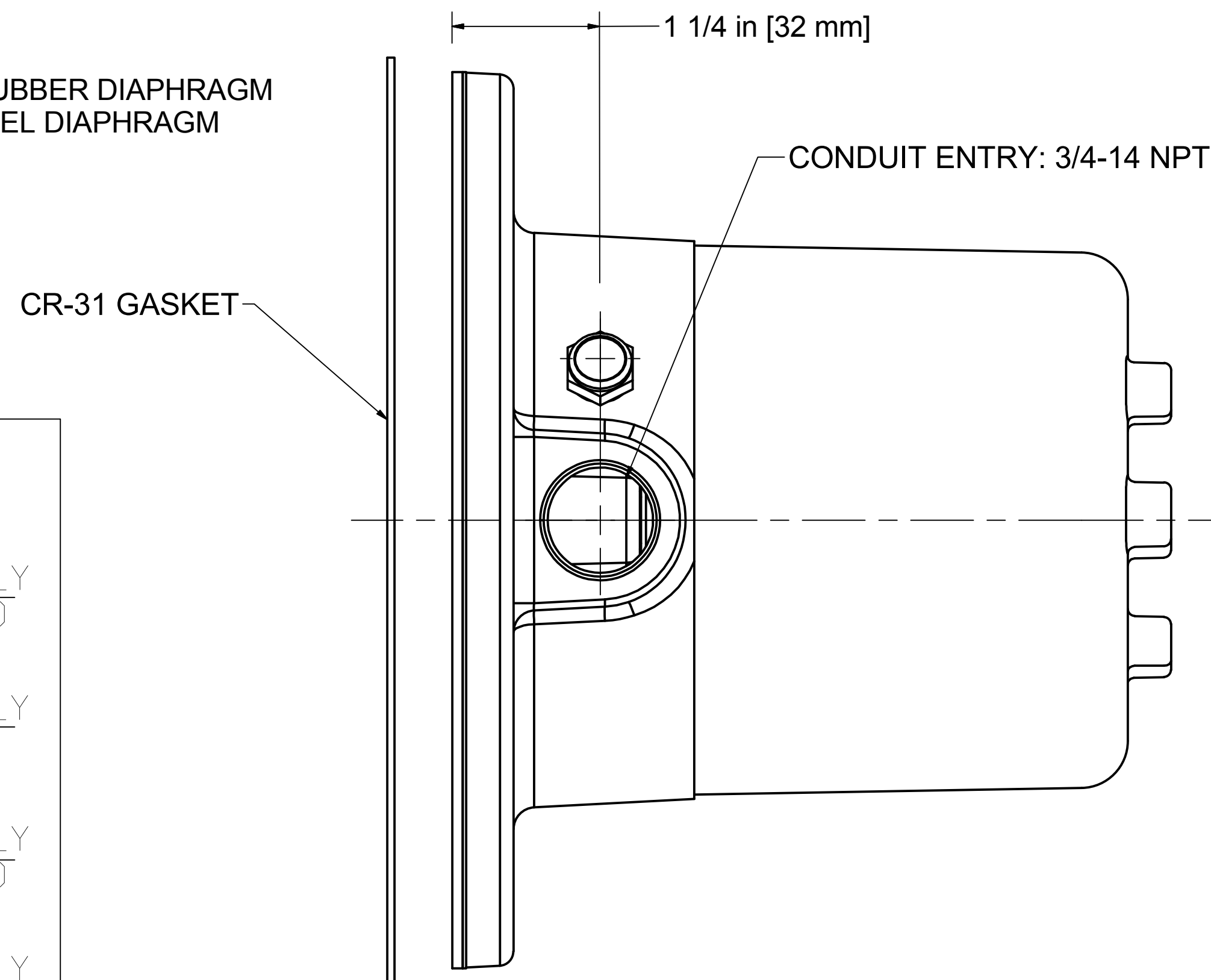
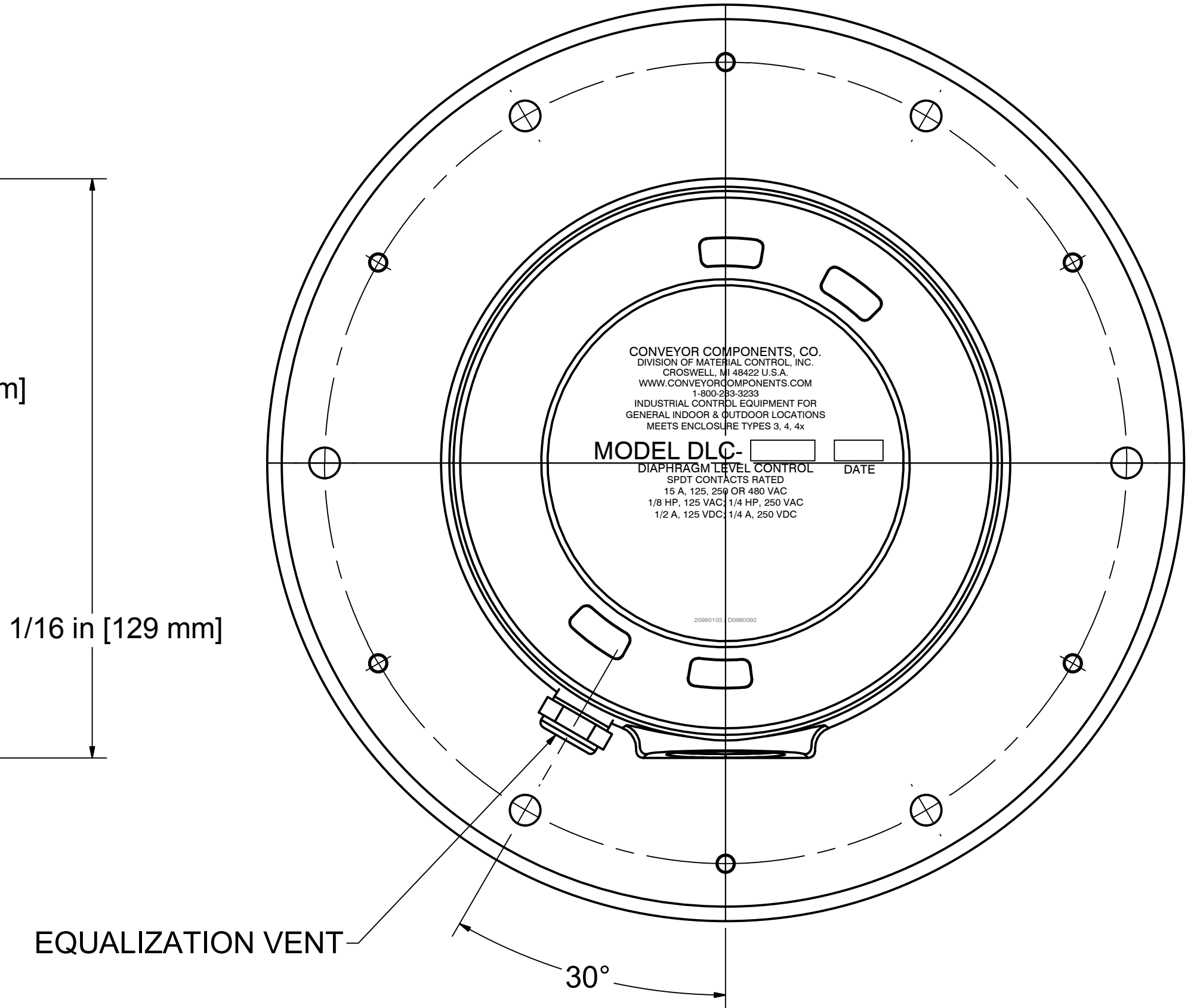
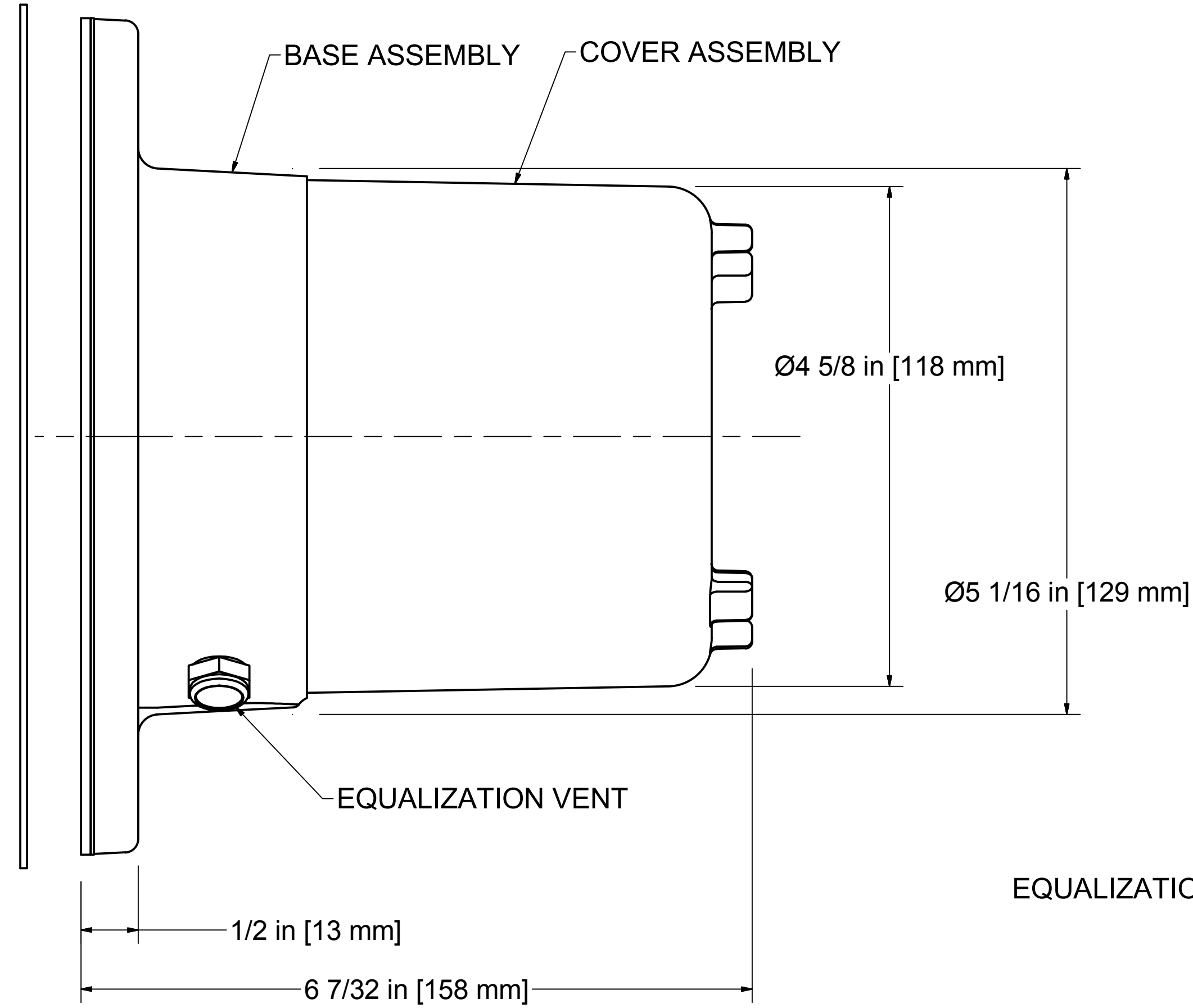


REV	ECO	DESCRIPTION	DATE	BY	APPD
B	0261c	DIAPHRAGM MATERIAL	2/13/2018	LW	DLG



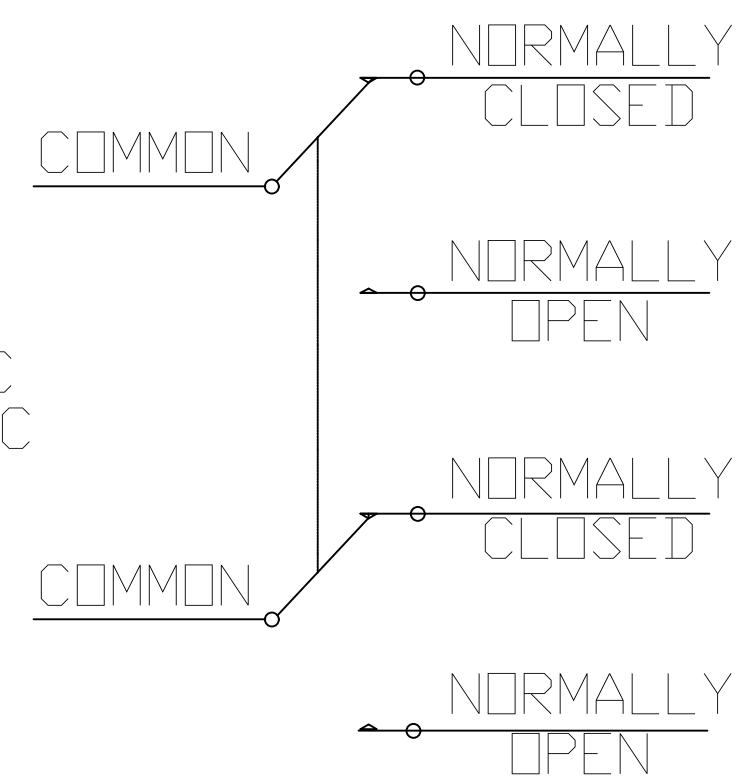
B
 DLC-2R: NEOPRENE RUBBER DIAPHRAGM
 DLC-2S: STAINLES STEEL DIAPHRAGM



ELECTRICAL DATA

MICRO SWITCH RATING

15 AMPS, 125, 250, OR 480 VAC
 1/8 HP, 125 VAC; 1/4 HP, 250 VAC
 1/2 AMP, 125 VDC; 1/4 AMP, 250 VDC



B ALL DIMS FOR REFERENCE ONLY
 EXCEPT MOUNTING HOLE PATTERN.

DRAWN	LW	2/11/2016	Conveyor Components Company Division of Material Control, Inc. 130 Seltzer Road, Crosswell, Michigan 48422 U.S.A.
CHECKED	DLG	2/15/2018	
APPROVED	DLG	5/10/2016	TITLE
PART	D0250012		MODEL DLC: DIAPHRAGM LEVEL CONTROL
THIS PRINT IS PROPERTY OF CONVEYOR COMPONENTS CO., AND MAY NOT BE USED IN WHOLE OR PART WITHOUT WRITTEN PERMISSION.			Drawing is computer generated, and print might not be to scale SIZE D DWG NO D0250012.dwg REV B SCALE SHEET 1 OF 1