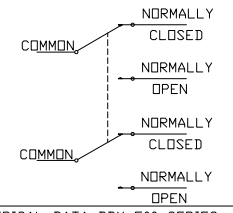


DWG. NO. D0340042		SHT. REV. 1-1 A			
REVISIONS					
REV.	E.C.D.	DESCRIPTION	DATE	BY	APP'D
A	0221c	NEW DRAWING	5/27/20	LW	GL

ENCLOSURE RATING:
 CLASS I, GROUPS C & D
 CLASS II, GROUPS E, F & G
 CLASS III

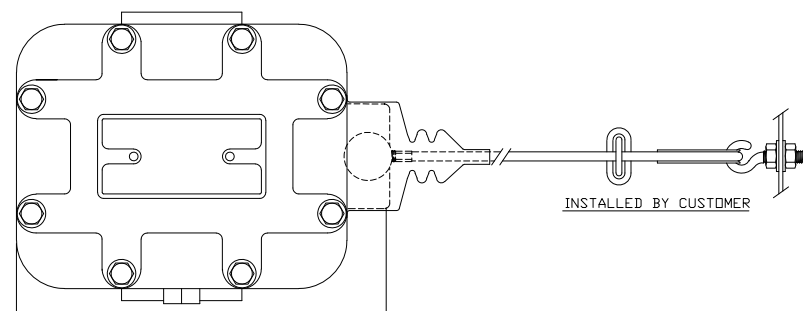
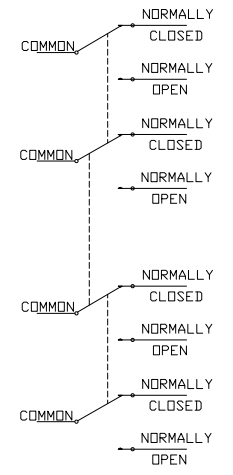
ELECTRICAL DATA DBX-100 SERIES:
 2 SP/DT SWITCHES.

SP/DT MICRO-SWITCH RATING:
 20 AMPS 125, 250 OR 480 VAC
 1 HP 125 VAC; 2 HP 250 VAC
 1/2 AMP 125 VDC; 1/4 AMP 250 VDC



ELECTRICAL DATA DBX-500 SERIES:
 2 DP/DT SWITCHES.

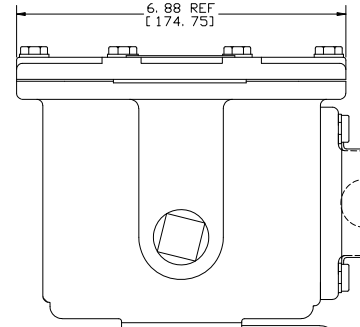
DP/DT MICRO-SWITCH DATA:
 15 AMPS, 125 OR 250 VAC
 3/4 HP, 125 VAC; 1 1/2 HP, 250 VAC



7.59 REF [192.79]

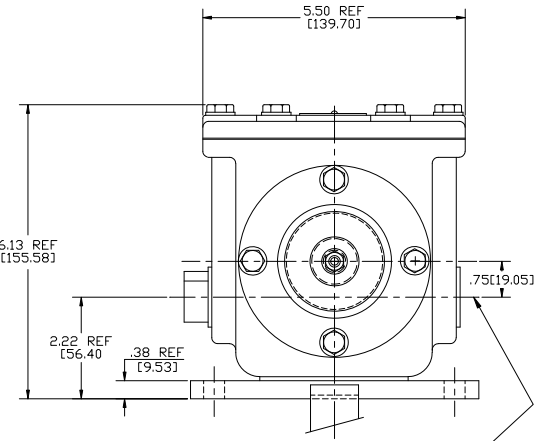
6.88 REF [174.75]

INSTALLED BY CUSTOMER



PULL FORCE:
 DBX-100, DBX-500: 4 LB
 DBX-108, DBX-508: 8 LB
 DBX-116, DBX-516: 16 LB

INSTALLED BY CUSTOMER



5.50 REF [139.70]

6.13 REF [155.58]

2.22 REF [56.40]

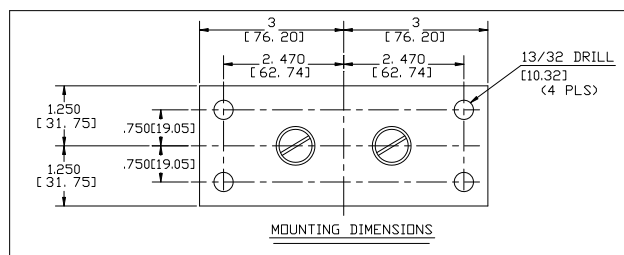
.38 REF [9.53]

.75 [19.05]

Ø OF CONDUIT HUBS 1 INCH N.P.T.

4 REF [101.60]

EYE BOLT PART OF AUXILIARY UNIT MOUNTED OPPOSITE SIDE WHEN DOUBLE UNIT MOUNTING IS USED.



MOUNTING DIMENSIONS

13/32 DRILL [10.32] (4 PLS)

THIS DRAWING IS COMPUTER GENERATED.					
DWN	LW	DATE	5/27/20	CONVEYOR COMPONENTS CO.	
CKD		DATE		130 SELTZER RD, CROSWELL, MI 48422	
APD	GL	DATE	6/3/2020	MODEL DBX PRODUCT DWG	
THIS PRINT IS THE PROPERTY OF CONVEYOR COMPONENTS CO. AND MUST NOT BE USED IN WHOLE OR PART WITHOUT WRITTEN PERMISSION.					
PART NO.			DWG. NO.	REV.	
			D0340042	A	
PLEASE RETURN ON DEMAND.		SCALE	N.A.	SIZE	D
				SHT.	1-1

DWG. NO. D0340042 SHT. REV. 1-1 A