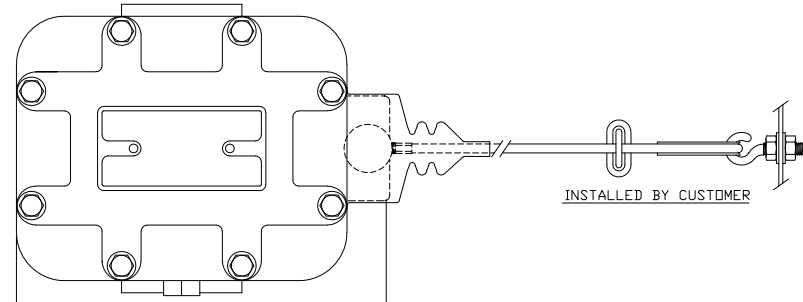
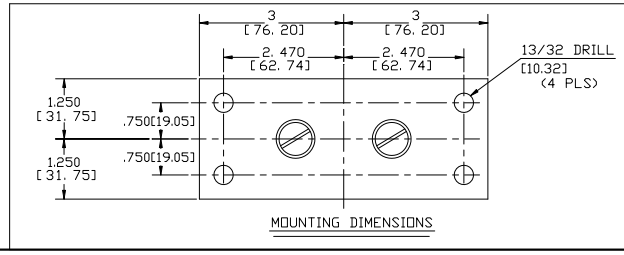
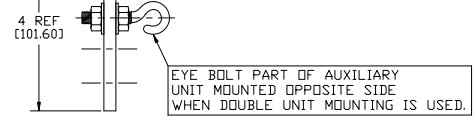
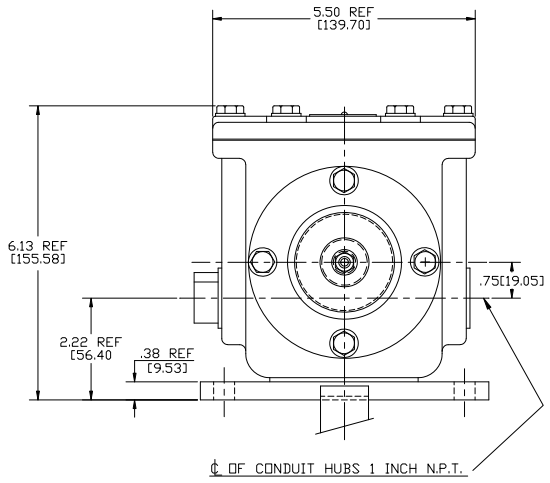


DWG. NO.	D0340043	SHT.	REV.		
		1-1	A		
REVISIONS					
REV.	E.C.O.	DESCRIPTION	DATE	BY	APP'D
A	0221c	NEW DRAWING	5/27/20	LW	GL

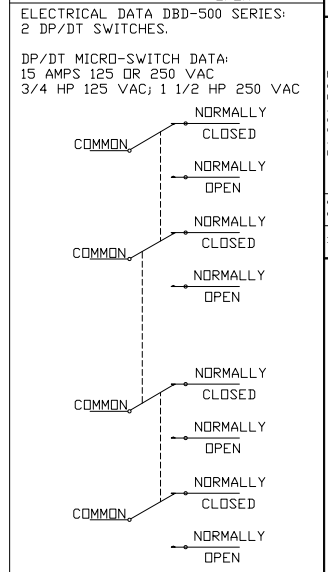
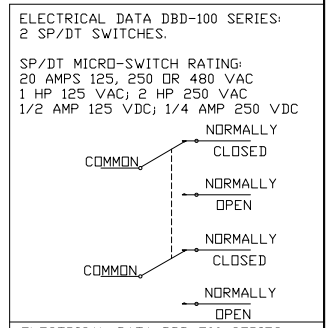


7.59 REF [192.79]
6.88 REF [174.75]

PULL FORCE:
DBD-100, DBD-500: 4 LB
DBD-108, DBD-508: 8 LB
DBD-116, DBD-516: 16 LB



ENCLOSURE RATING:
TYPE 4 & 4X
CLASS II, GROUPS E, F & G
CLASS III



THIS DRAWING IS COMPUTER GENERATED.

DWN	LW	DATE	5/27/20	CONVEYOR COMPONENTS CO.
CKD		DATE		130 SELTZER RD, CROSWELL, MI 48422
APD	GL	DATE	6/3/2020	MODEL DBD PRODUCT DWG
THIS PRINT IS THE PROPERTY OF CONVEYOR COMPONENTS CO. AND MUST NOT BE USED IN WHOLE OR PART WITHOUT WRITTEN PERMISSION.				
PART NO.		DWG. NO.	D0340043	REV. A
PLEASE RETURN ON DEMAND.		SCALE	N.A.	SIZE D
		SHT.	1-1	

DWG. NO. D0340043
SHT. REV. 1-1 A