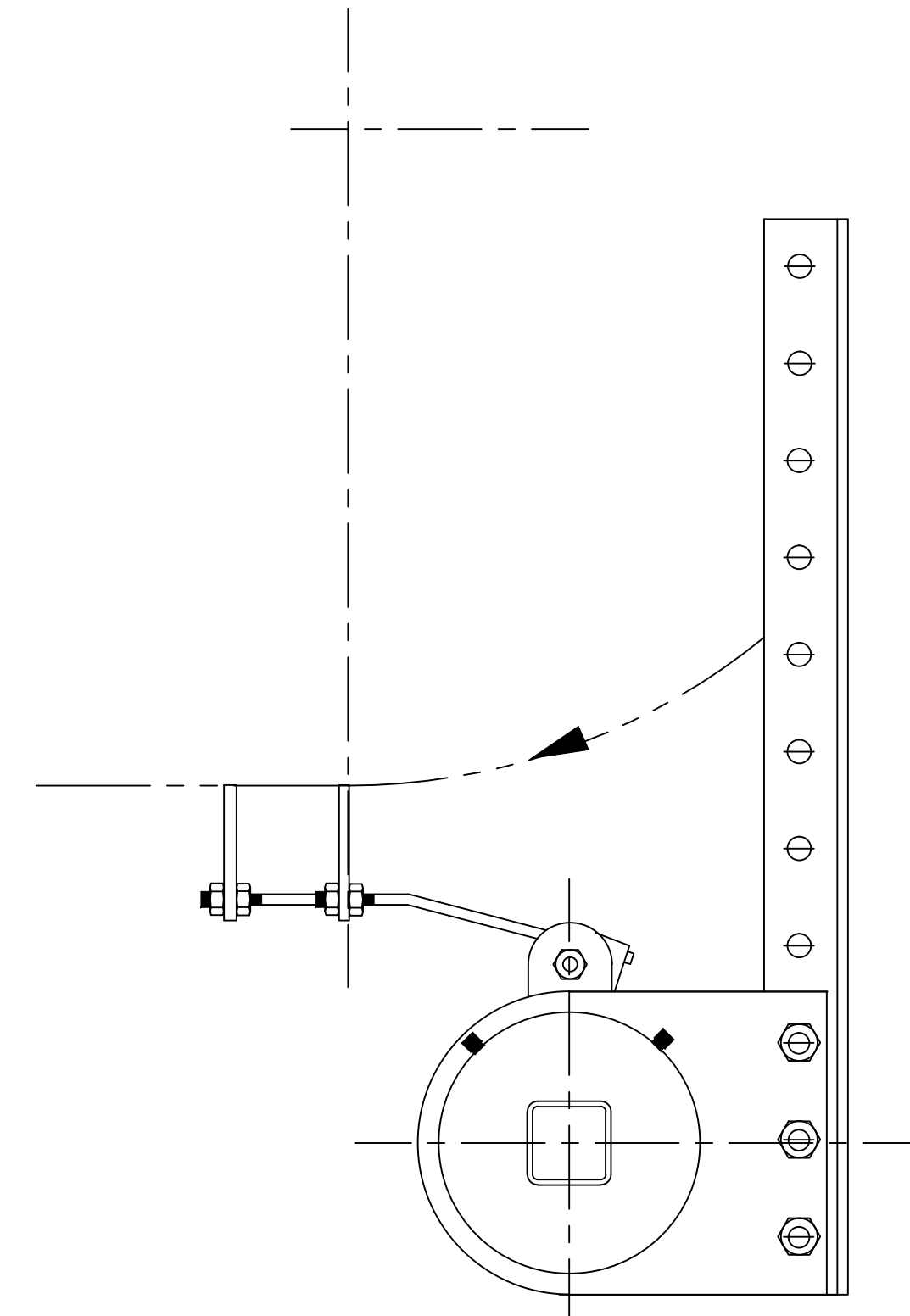
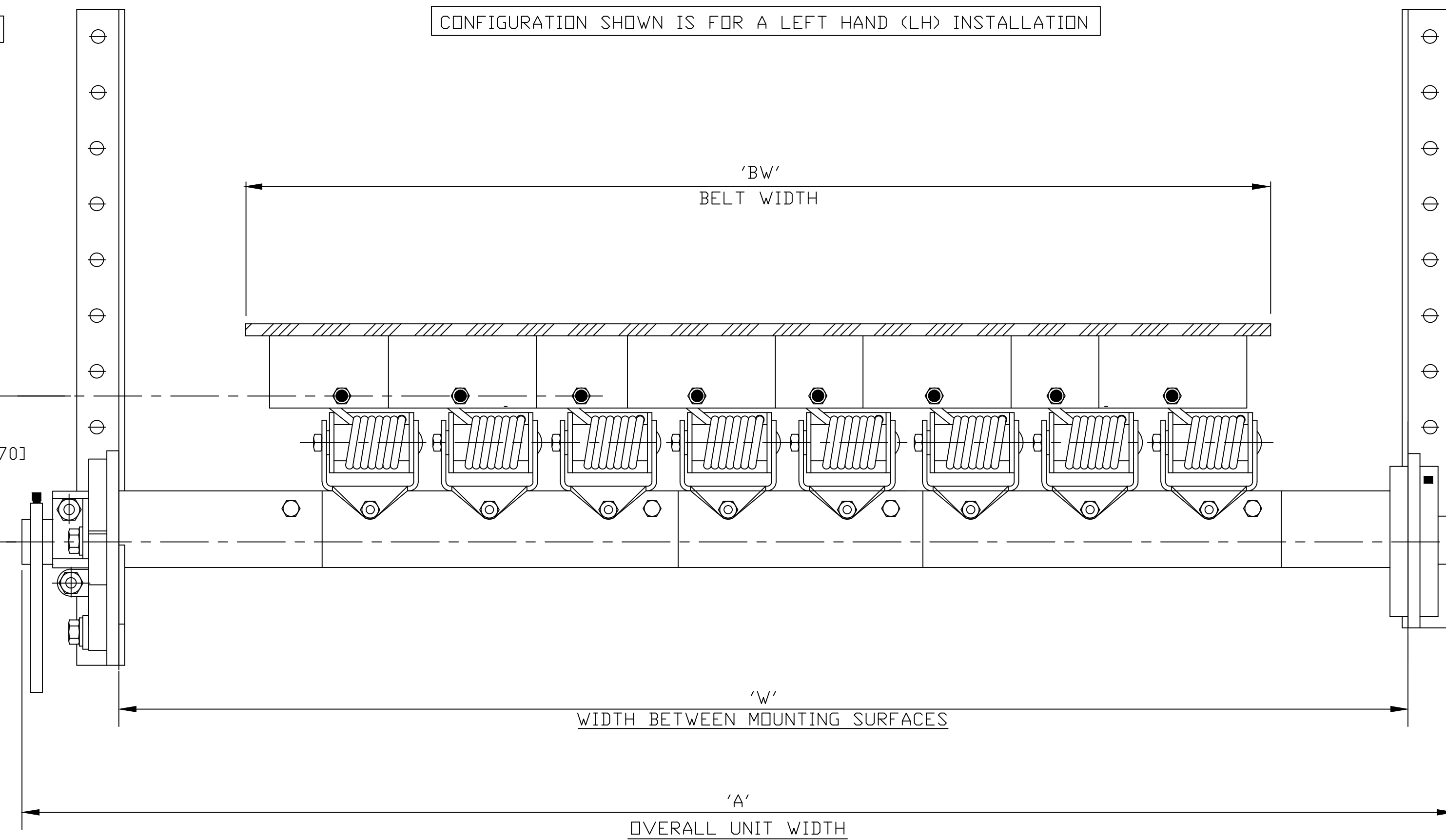
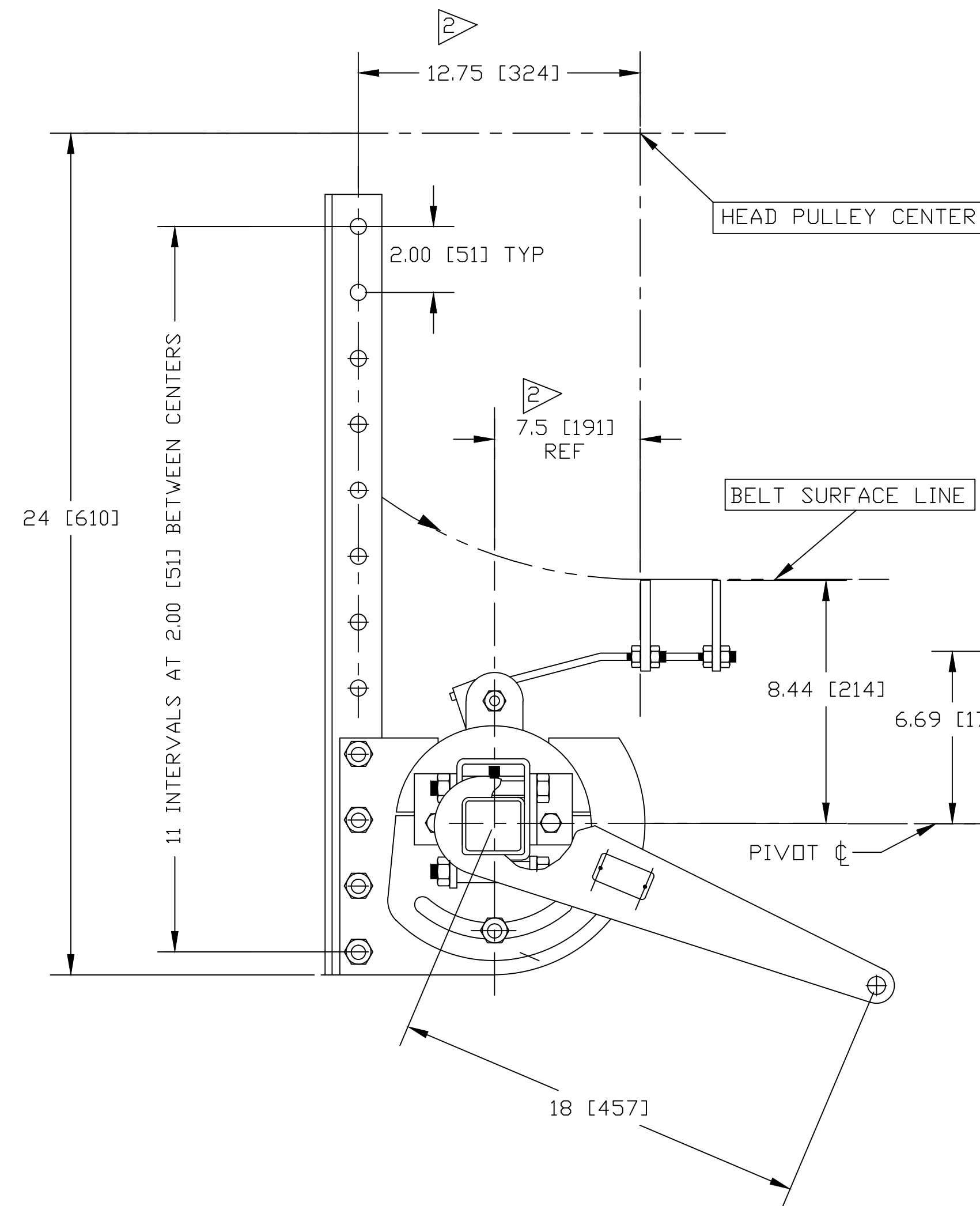
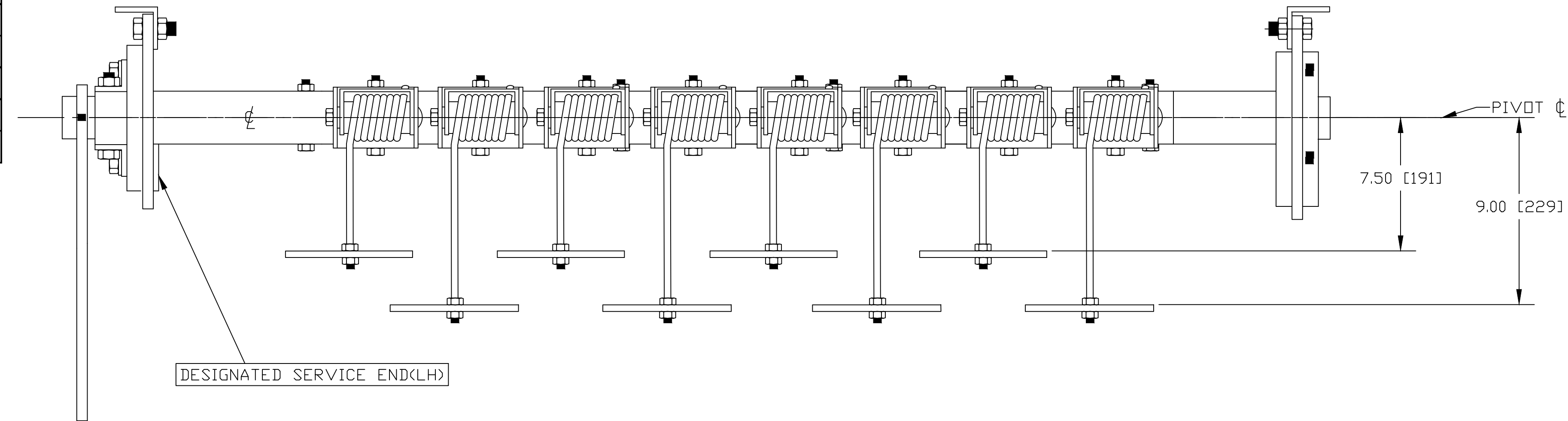


REVISIONS					
REV	E.C.D. NO.	DESCRIPTION	BY	APPD	DATE
I	1499	ADD METRIC DIMS	KS	JK	10/02/07

DIMENSION TABLE

BW' BELT WIDTH	W'		A' MAX UNIT WIDTH
	MAX	MIN	
12 [305]	42 [1067]	18 [381]	54 [1372]
18 [457]	48 [1219]	21 [533]	60 [1524]
24 [610]	54 [1372]	27 [686]	66 [1676]
30 [762]	60 [1524]	33 [838]	72 [1829]
36 [914]	66 [1676]	39 [991]	78 [1981]
42 [1067]	72 [1829]	45 [1143]	84 [2134]
18 [1219]	78 [1981]	51 [1295]	90 [2286]
54 [1372]	84 [2134]	57 [1448]	96 [2438]
60 [1524]	90 [2286]	63 [1600]	102 [2591]
66 [1676]	96 [2438]	69 [1753]	108 [2743]
72 [1829]	102 [2591]	75 [1905]	114 [2896]
78 [1981]	108 [2743]	81 [2057]	120 [3048]
84 [2134]	114 [2896]	87 [2210]	126 [3200]
96 [2438]	126 [3200]	99 [2515]	138 [3505]



THIS DRAWING IS TO BE USED FOR:
MODELS RFA-367, RFA-368
RFA-467, RFA-468

REFER TO DWG. D-036-0014 FOR FURTHER INSTALLATION AND REFERENCE DIMENSIONS.

THIS DRAWING IS COMPUTER GENERATED					
DWN_RM	DATE	11-28-84	CONVEYOR COMPONENTS COMPANY		
CKD	DATE		130 SELTZER ROAD, CROSWELL, MI. 48422		
APPD_JK	DATE	11-30-84	MODEL RFA-368 HANGER MOUNT		
THIS PRINT IS THE PROPERTY OF CONVEYOR COMPONENTS CO. AND MUST NOT BE USED IN WHOLE, OR PART WITHOUT WRITTEN PERMISSION. PLEASE RETURN ON DEMAND.			DWG. NO.	D-036-0007	REV I
SCALE N/A					

NOTE: ALL DIMENSIONS IN [] ARE IN MILLIMETERS

NOTES: 1. IF TUBES ARE TO BE REMOVED FROM THE SIDE, ALLOWANCE MUST BE MADE FOR TOTAL LENGTH OF TUBE FOR CLEARANCE. THIS DISTANCE WOULD BE THE OVERALL UNIT WIDTH ('A').

2. THIS DIMENSION WILL VARY WITH THE POSITIONING OF THE BLADES ON THE SPRING ARMS. BEFORE DETERMINING THIS DIMENSION BLADES SHOULD BE ADJUSTED ON SPRING ARMS TO EQUAL DISTANCES.