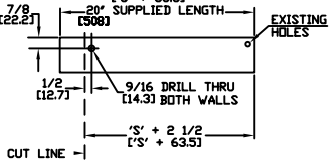
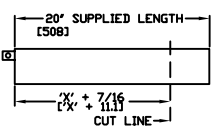


CUSTOMER CUTTING AND DRILLING INSTRUCTIONS

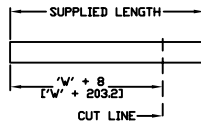
1. ITEM #8 SERVICE END TUBE - CUT & DRILL
 DIMENSION 'S' MUST BE KNOWN.
 CUT LENGTH = 'S' + 2 1/2
 ['S' + 63.5]



2. ITEM #7 END TUBE WELDMENT - CUT ONLY
 DIMENSION 'X' MUST BE KNOWN.
 CUT LENGTH = 'X' + 7/16
 ['X' + 11.1]



3. ITEM #9 SUPPORT TUBE - CUT ONLY
 DIMENSION 'W' MUST BE KNOWN.
 CUT LENGTH = 'W' + 8
 ['W' + 203.2]



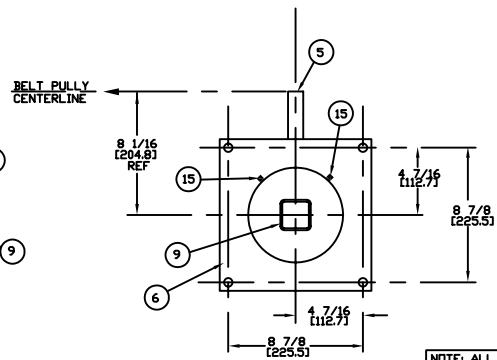
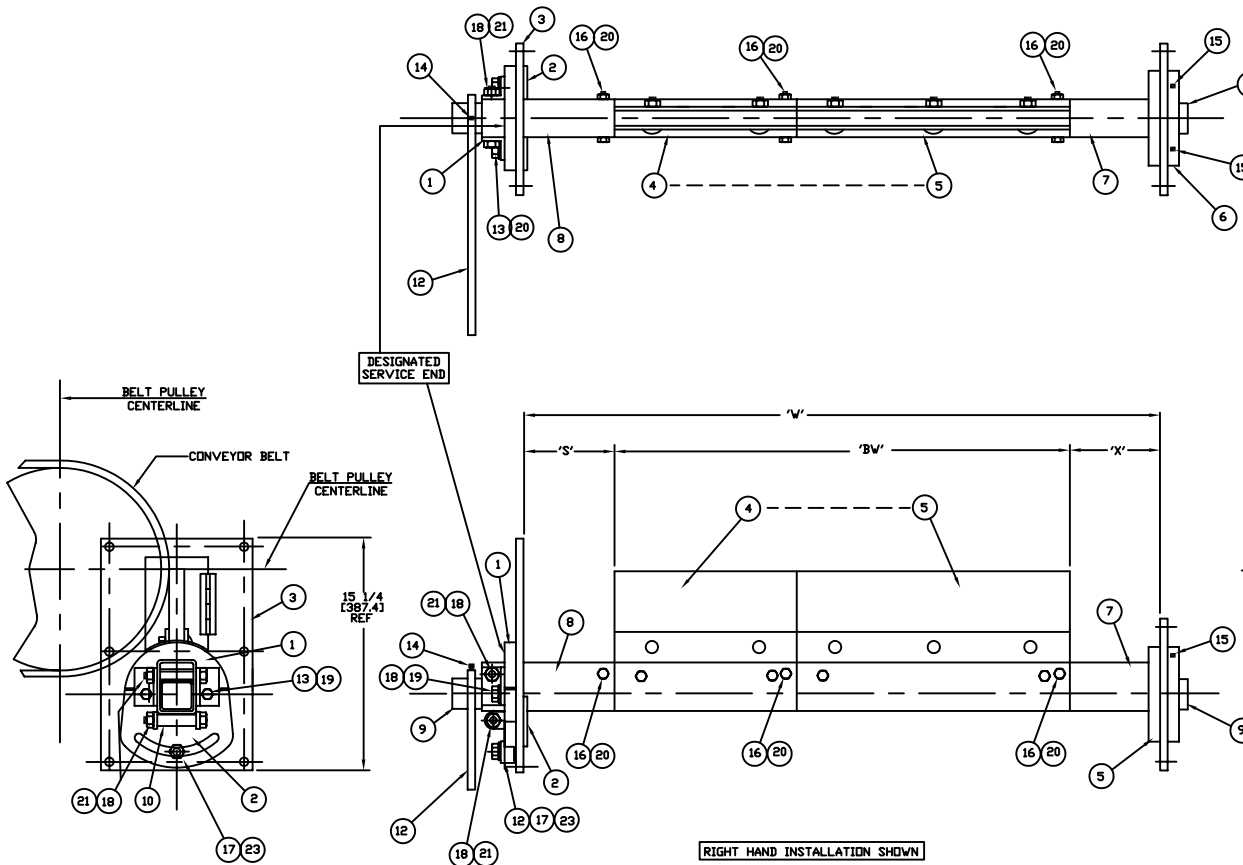
REVISIONS

REV.	E.C.D. NO.	DESCRIPTION	BY	APP'D	DATE
K	0173	REDRAW TO COMPUTER	RM	JK	7-7-89
L	0705	ADD METRIC DIM	RM	JK	7-31-92
M	0879	DEL 'R' DIM	RM	JK	9-15-93
N	0960	CHG ITEM 4 & 5 037 WAS 039	RM	JK	3-21-94

QUANTITIES TABLE				
BELT WIDTH 'BW'	'A'	'B'	'C'	
12 [304.8]	1	0	2	
18 [457.2]	0	1	2	
24 [609.6]	2	0	3	
30 [762.0]	1	1	3	
36 [914.4]	0	2	3	
42 [1066.8]	2	1	4	
48 [1219.2]	1	2	4	
54 [1371.6]	0	3	4	
60 [1524.0]	2	2	5	
66 [1676.4]	1	3	5	
72 [1828.8]	0	4	5	

FINAL ASSEMBLY COMPONENTS				
ITEM	PART NO.	DESCRIPTION	QTY	
1	C-036-0011	TUBE RETAINER WELDMENT	1	
2	C-036-0004	PIVOT FLANGE WELDMENT	1	
3	C-039-0003	SERVICE MOUNTING FLANGE	1	
4	C-037-0005	12" BLADE ASSEMBLY	'A'	
5	C-037-0006	18" BLADE ASSEMBLY	'B'	
6	C-036-0002	END FLANGE ASSEMBLY	1	
7	B-036-0014	END TUBE WELDMENT	1	
8	B-036-0015	SERVICE END TUBE	1	
9	B-36-7-(BW)	SUPPORT TUBE	1	
10	A-036-0003	SPACER ROLLER	1	
11	A-037-0007	NAME PLATE	1	
12	B-19-2	PRESSURE HANDLE	1	
13	A-201-1201	3/8-16 X 1 HEX HEAD CAP SCREW	2	
14	A-201-1209	3/8-16 X 1 SQUARE HEAD SET SCREW	1	
15	A-201-1250	3/8-16 X 2 1/4 SQUARE HD SCREW	2	
16	A-201-1252	3/8-16 X 3 1/4 HH. CAP SCREW	'C'	
17	A-201-1300	1/2-13 X 1 1/4 HH. CAP SCREW	1	
18	A-201-1308	1/2-13 X 4 HH. CAP SCREW	2	
19	A-201-3501	3/8 SPLIT LOCKWASHER	2	
20	A-201-4203	3/8-16 HEX LOCKNUT/N.I.	'C'	
21	A-201-4404	1/2-13 HEX LOCKNUT/N.I.	2	
22	A-201-6111	#2 X 3/16 DRIVE RIVET	1	
23	A-201-3502	1/2 SPLIT LOCKWASHER	1	

MOUNTING HARDWARE		
PART NO.	DESCRIPTION	QTY
A-201-1302	1/2-13 X 2 HEX HEAD CAP SCREW	10
A-201-3502	1/2 SPLIT LOCKWASHER	10
A-201-4401	1/2-13 HEX NUT	10



NOTE: ALL DIMENSIONS IN [] ARE IN MILLIMETERS

REFER TO DWG. D-036-0020 FOR L.H. & R.H. INSTALLATIONS.

REFER TO C-039-0001 FOR INSTALLATION INSTRUCTIONS.

THIS DRAWING IS COMPUTER GENERATED.

DWN RM	DATE 7-26-82	CONVEYOR COMPONENTS COMPANY
CKD CL	DATE 8-4-82	130 SELTZER ROAD, CROSWELL, MI. 48422
APD JK	DATE 9-1-82	MODEL RLP-358 CHUTE MOUNT
		TELESCOPING BELT CLEANER

THIS PRINT IS THE PROPERTY OF CONVEYOR COMPONENTS CO. AND MUST NOT BE USED IN WHOLE OR PART WITHOUT WRITTEN PERMISSION. PLEASE RETURN ON DEMAND.

PART NO.	DWG. NO.	REV
	D-039-0002	N
SCALE 1/4"=1"	MCCALLY SHY.	