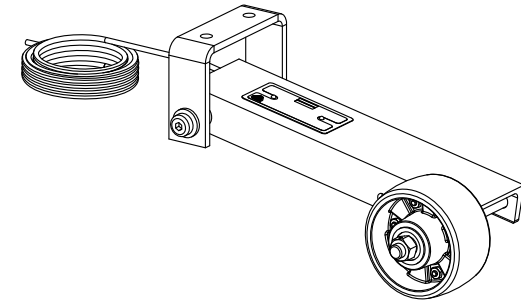
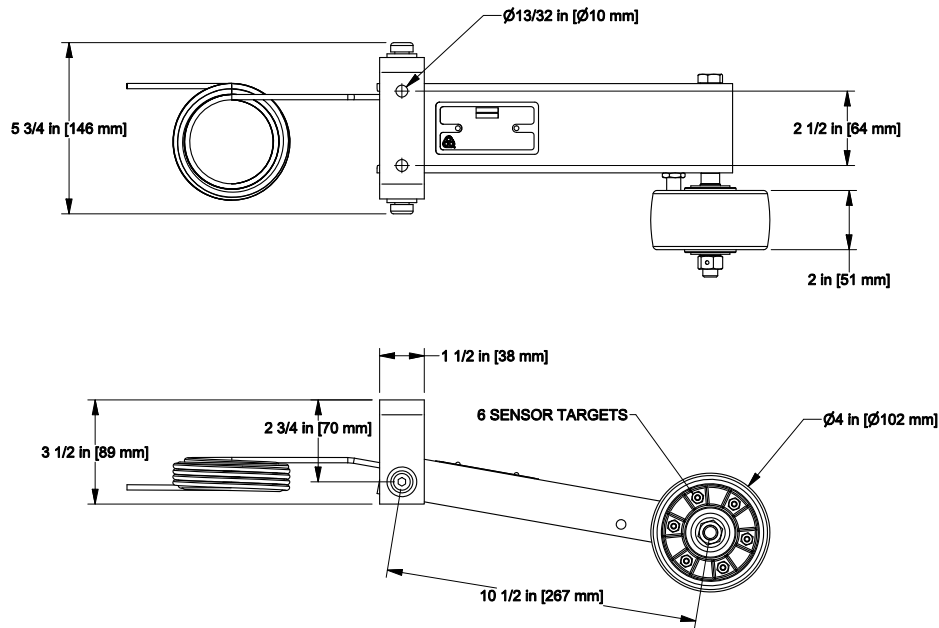
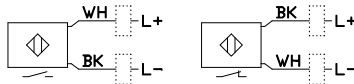


REV	ECO	DESCRIPTION	DATE	BY	APPD
B	0411c	UPDATE FIGURES	2/24/2021	LW	GL

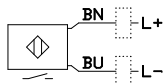


ELECTRICAL CHARACTERISTICS

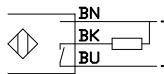
BSDC-2S
2-WIRE SENSOR
10-55 VDC INPUT
400mA OUTPUT



ALTERNATE SENSOR
10-30 VDC INPUT
<100mA OUTPUT



BSDC-3S
3-WIRE SENSOR
10-30 VDC INPUT
<200mA OUTPUT, NPN



BSDC-0S
USER SUPPLIED INDUCTIVE SENSOR

BSDC-2S: 12MM 2-WIRE INDUCTIVE PROXIMITY SENSOR SUPPLIED FOR USE WITH RMS SERIES CONTROLLER OR OTHER USER SUPPLIED CONTROLLER (PLC, DCS, ect.)

BSDC-3S: 12MM 3-WIRE INDUCTIVE PROXIMITY SENSOR SUPPLIED FOR USE WITH MSD-800 SERIES CONTROLLER WITH READOUT OR OTHER USER SUPPLIED CONTROLLER (PLC, DCS, ect.)

BSDC-0S: NO SENSOR SUPPLIED. USER SUPPLIES 12MM (1/2") INDUCTIVE PROXIMITY SENSOR AND CONTROLLER

ALL DIMS FOR REFERENCE ONLY.

DRAWN	4/8/2020	 Conveyor Components Company <small>Division of Material Control, Inc.</small> <small>130 Seltzer Road, Croswell, Michigan 48822 U.S.A.</small>	
CHECKED	5/18/2021		
GL		TITLE	
APPROVED	10/7/2020	BSDC Compact Belt Speed Detector	
<small>THIS PRINT IS PROPERTY OF CONVEYOR COMPONENTS CO., AND MAY NOT BE USED IN WHOLE OR PART WITHOUT WRITTEN PERMISSION.</small>		<small>Drawing is computer generated, and print might not be to scale</small> SIZE: D DWG NO: D1310026.dwg REV: B	
SCALE		SHEET 1 of 1	