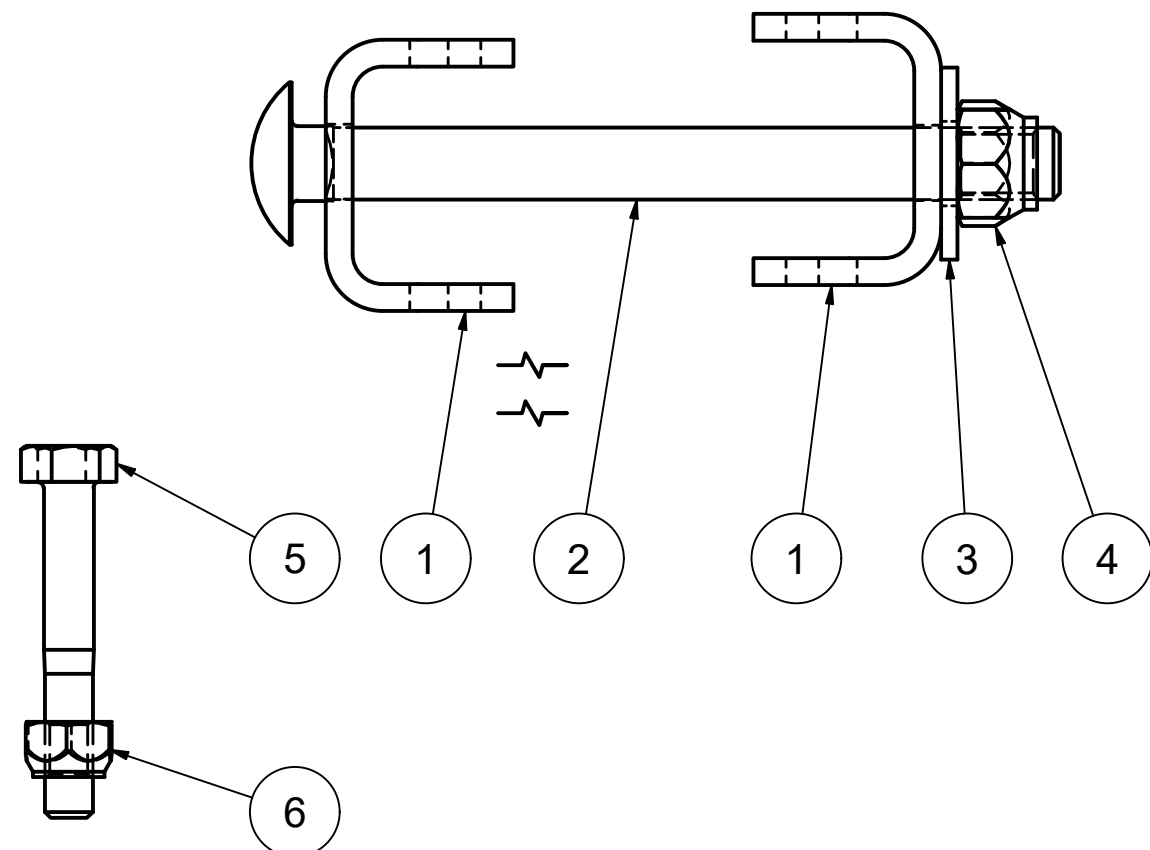
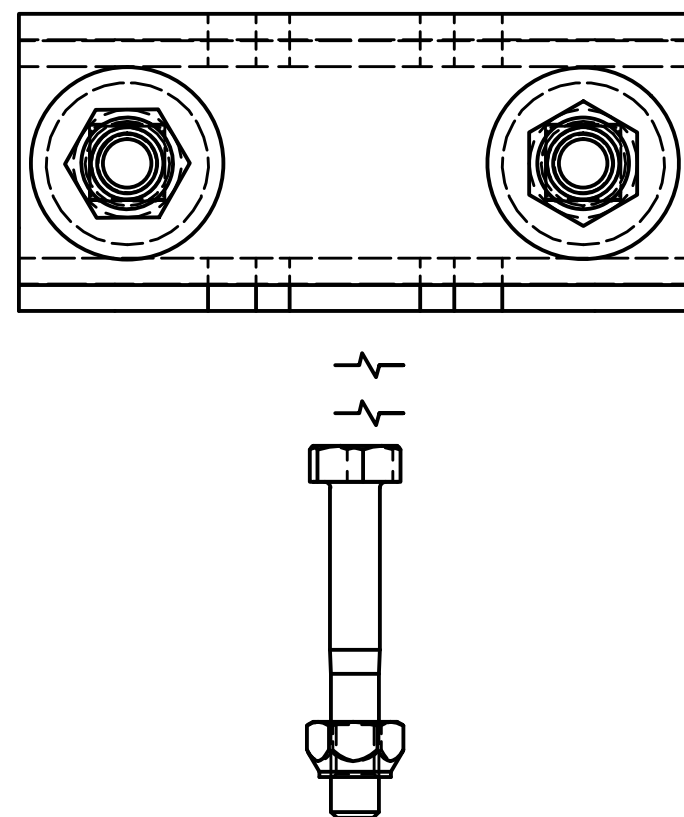
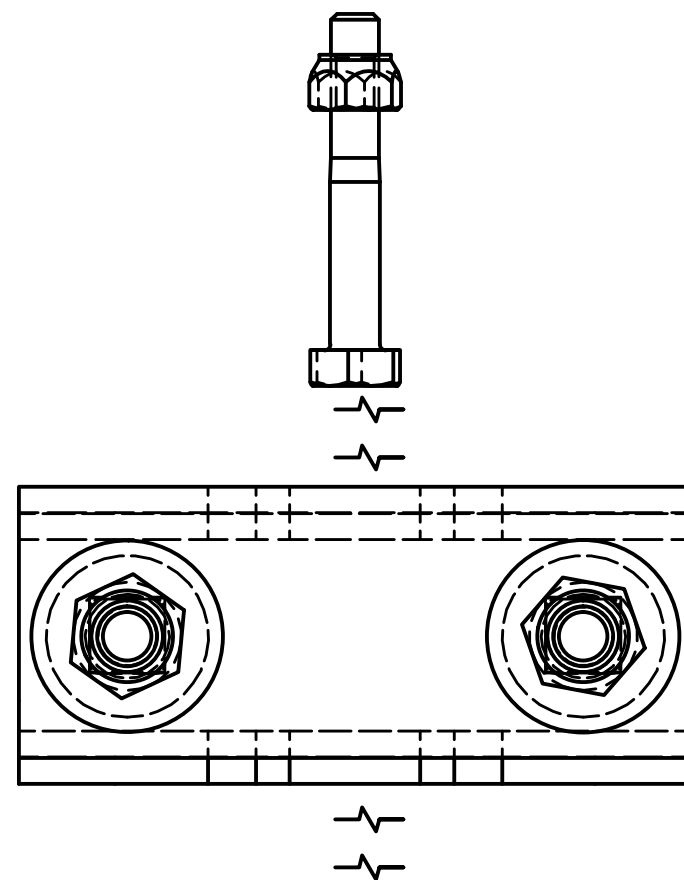
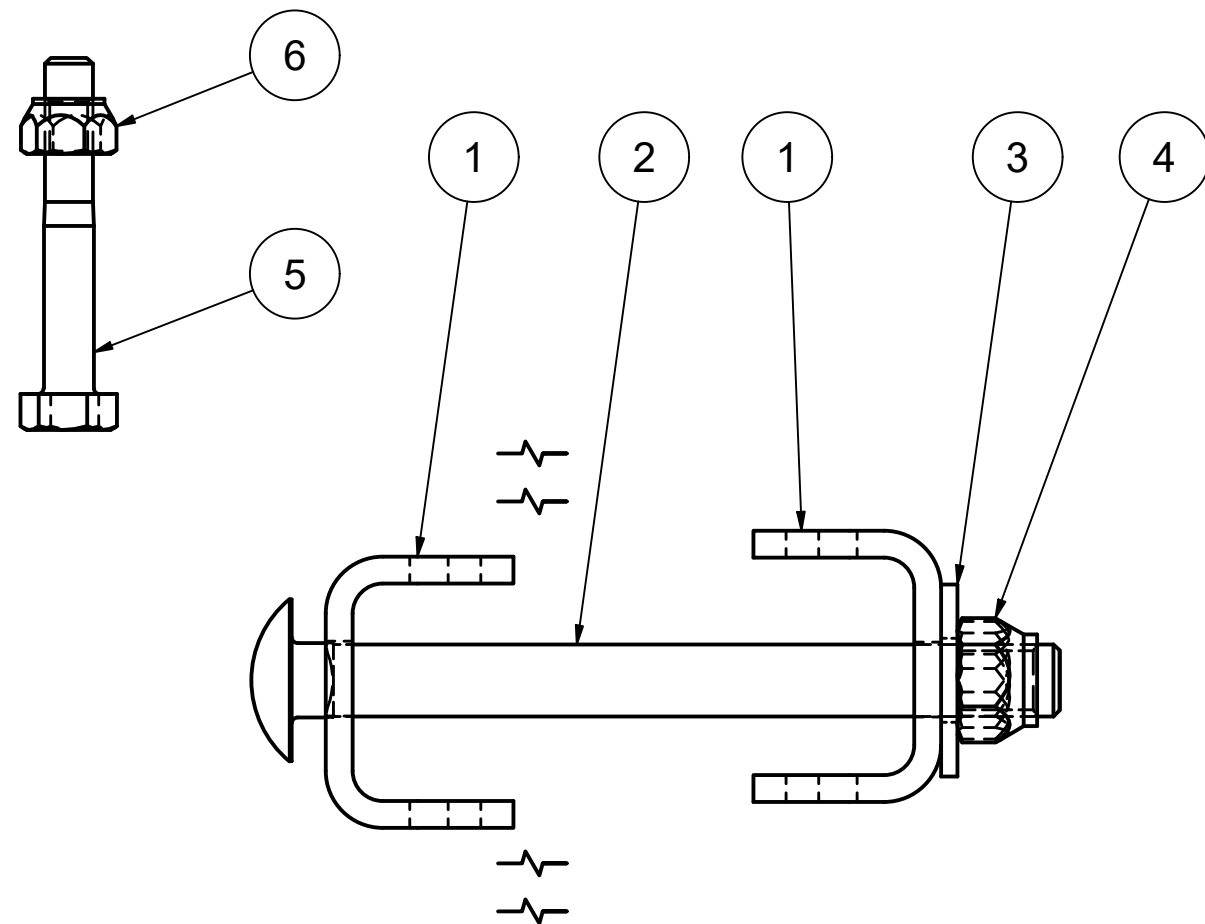
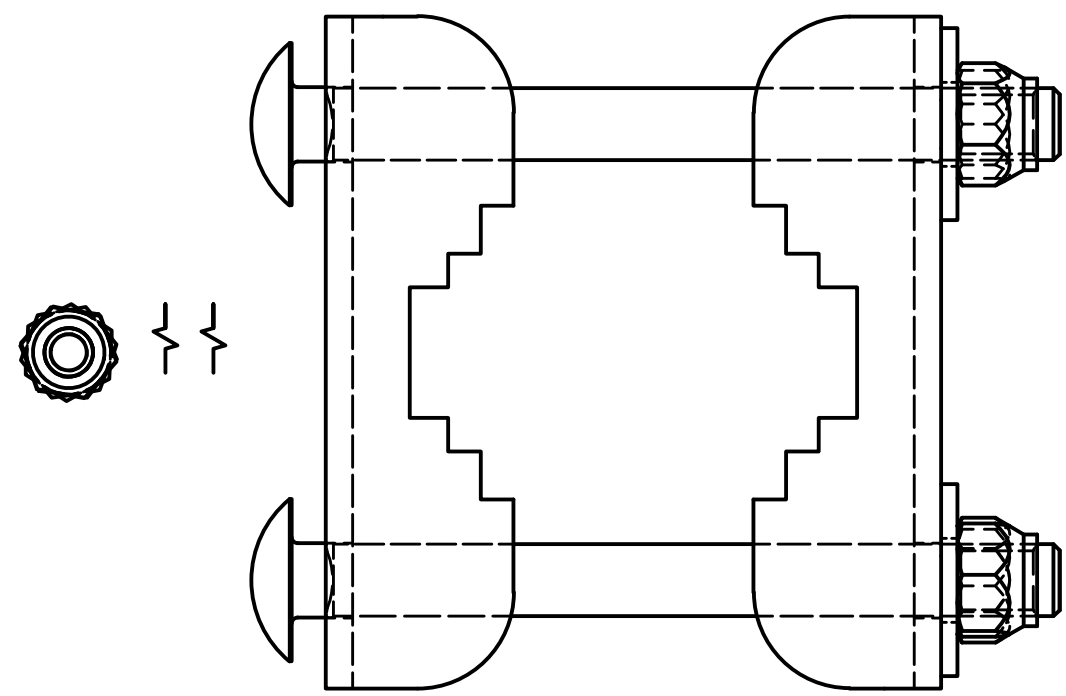


REV	ECO	DESCRIPTION	DATE	BY	APPD
A	0367c	NEW DRAWING	3/5/2020	GL	LW




7, NOT SHOWN

CLAMP COLOR:
RGC-HDWKIT-C6: RED
RGC-HDWKIT-C2: YELLOW

COMPONENTS: RGC-HDWKIT-C6 / RGC-HDWKIT-C2		
ITEM	DESCRIPTION	QTY
1	SWING GATE CLAMP FORMED	4
2	3/8-16 X 4 CARRIAGE BOLT Z/P (GRADE 5)	4
3	3/8 FLAT WASHER STANDARD Z/P 1" OD	4
4	3/8-16 N/I HEX LOCKNUT Z/P (GRADE 5)	4
5	1/4-20 X 1 3/4 HHCS Z/P (GRADE 5)	2
6	1/4-20 N/I LOCKNUT Z/P	2
7	CARTON - 10 X 4 X 3 (#1043)	1

A

DRAWN	GL	3/5/2020
CHECKED	LW	5/4/2020
APPROVED	LW	5/4/2020
PART		

 Conveyor Components Company Division of Material Control, Inc. 130 Seltzer Road, Crosswell, Michigan 48422 U.S.A.		
TITLE		
READY GATE REPLACEMENT HARDWARE KIT		

THIS PRINT IS PROPERTY OF CONVEYOR COMPONENTS CO., AND MAY NOT BE USED IN WHOLE OR PART WITHOUT WRITTEN PERMISSION.

Drawing is computer generated, and print might not be to scale		
SIZE	DWG NO	REV
C	D1330002.dwg	A
SCALE	SHEET 1 OF 1	