



# CONVEYOR COMPONENTS COMPANY

130 Seltzer Road, PO Box 167 • Croswell, MI 48422 USA

PHONE: (810) 679-4211 • TOLL FREE (800) 233-3233 • FAX: (810) 679-4510

Email: [info@conveyorcomponents.com](mailto:info@conveyorcomponents.com) • <http://www.conveyorcomponents.com>

## MODELS PT and HPT PLOW TYPE CONVEYOR BELT CLEANERS INSTALLATION INSTRUCTIONS

### Overview:

The model PT and heavy-duty model HPT prevent materials from being caught between the tail pulley and the conveyor belt. Material droppings and foreign objects are diverted from the conveyor belt before reaching the tail pulley. The V-shape design of the plow prevents belt misalignment and is compact in size.

The model PT and model HPT cleaners permit field adjustment of the plow and blade assembly. Adjustable threaded rods with compression springs hold the plow and blade assembly in continuous firm contact with the conveyor belt. Long wearing BELT-KLEEN is used as the standard wiper blade material. The model PT is equipped with 1/2" thick by 4" high BELT-KLEEN wiper blades. The heavy duty model HPT is equipped with 1" thick by 6" high 80 durometer rubber BELT-KLEEN wiper blades, and robust structural components. Special models of both types of plow cleaners are available for use on reversing conveyor belts.

### Installation and Adjustment:

### **CAUTION: Before installing or adjusting, shut down and physically lockout the conveyor system.**

1. The plow is shipped assembled for small units. Large units must be assembled in the field. The 2 sides are bolted to the 2 cross pieces with the screws and lock nuts provided. The plow is then installed on the cross members.
2. Install the cleaner near the tail pulley with the plow pointing against the direction of the conveyor belt travel.
3. Cross member supports must be positioned to permit easy movement of the plow in the vertical direction. Cross members are furnished extra long and excess material can be trimmed off. Weld or bolt the cross members to the conveyor frame.
4. On top of the 3 threaded rods, adjust the stop nuts to permit approximately 2 1/2" of downward movement as the rubber wiper wears. These nuts prevent the metal plow frame from touching the belt when the rubber wiper is used up.
5. The springs on the threaded rods can be adjusted by the 2 jam nuts under each. Spring pressure should be adjusted to assure that the plow "rides" smoothly on the belt at all times.
6. Bolt the ends of the safety chains to the conveyor frame away from the plow and tail pulley. Leave a little slack in the chain to allow free-floating of the plow and blade assembly. The safety chains are an extra feature that prevents the plow from being carried away and into the tail pulley.

Figure 1: PT for 12" to 24" belt widths. Dims in [ ] are in millimeters.

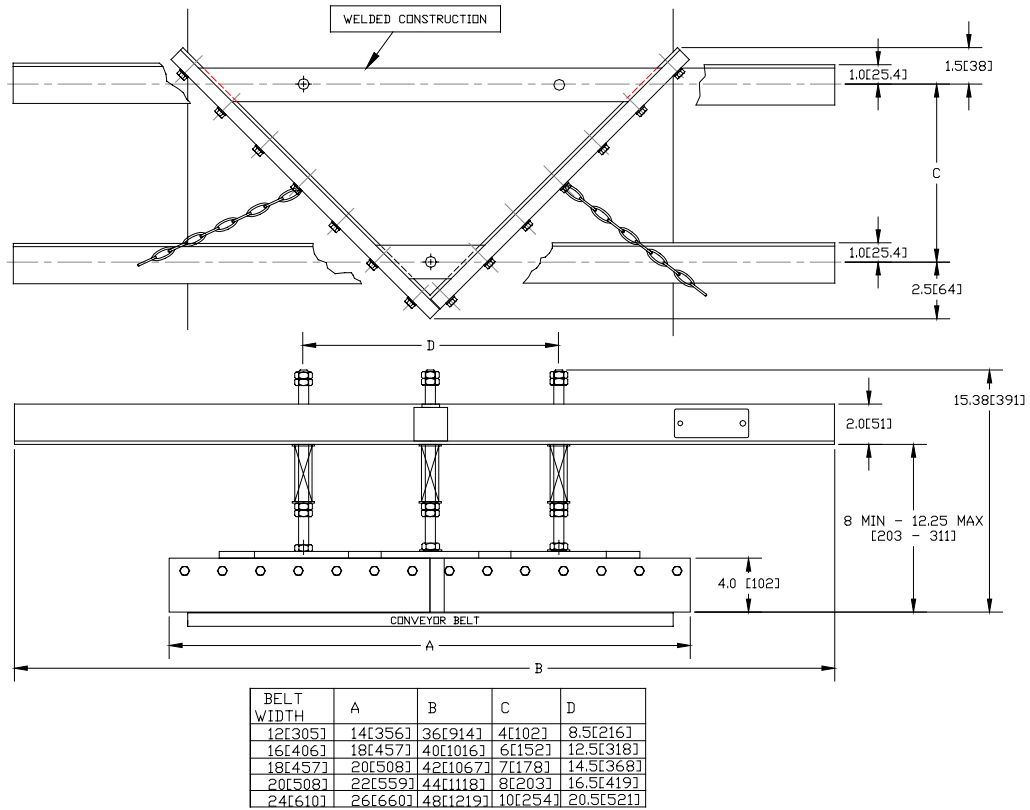


Figure 2: PT for 30" to 42" belt widths.

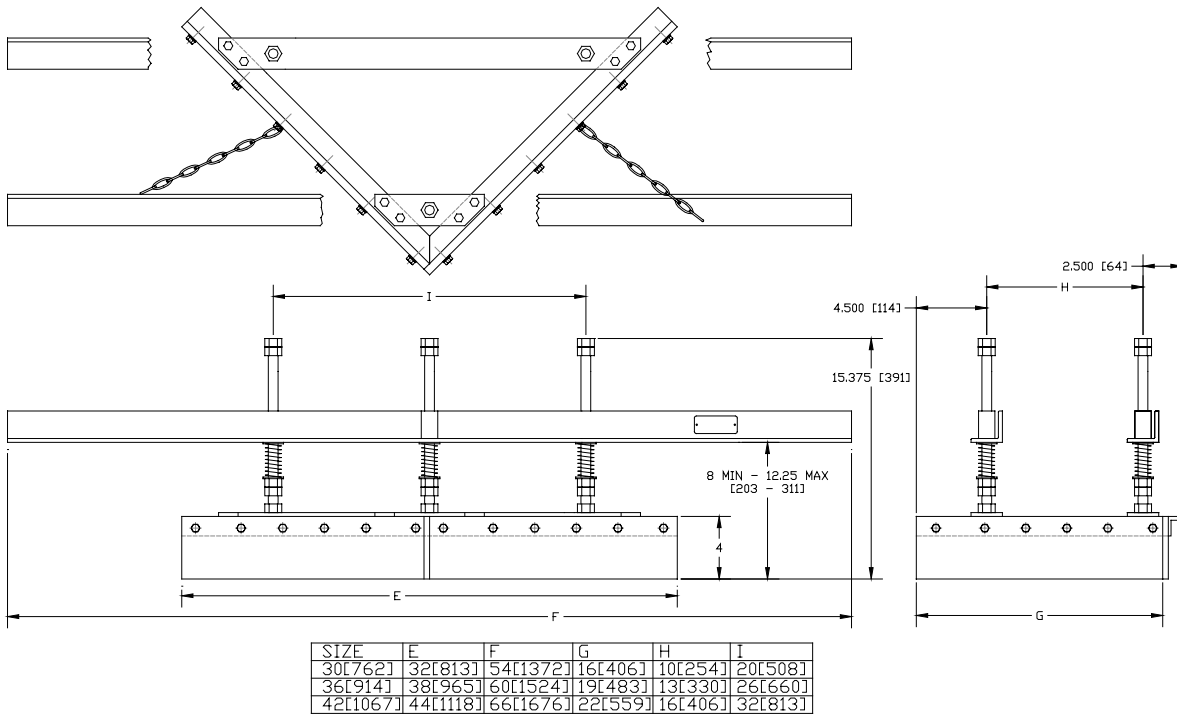


Figure 3: HPT for 12" to 24" belt widths.

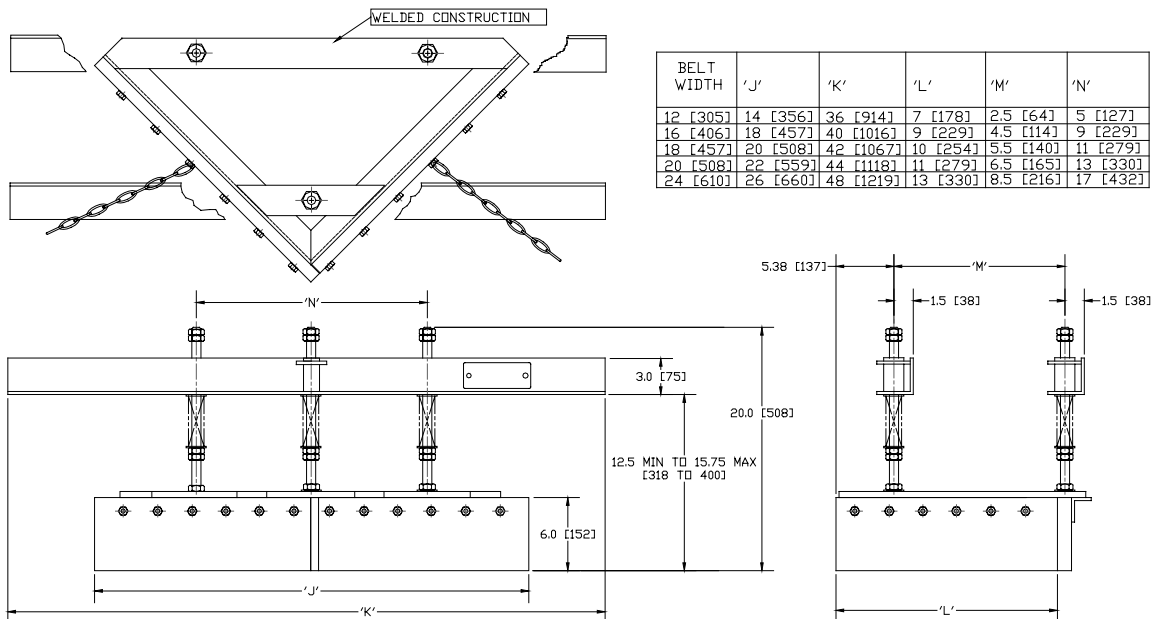


Figure 4: HPT for 30" to 60" belt widths.

